

### ZENITH IP65R X2 Trimless

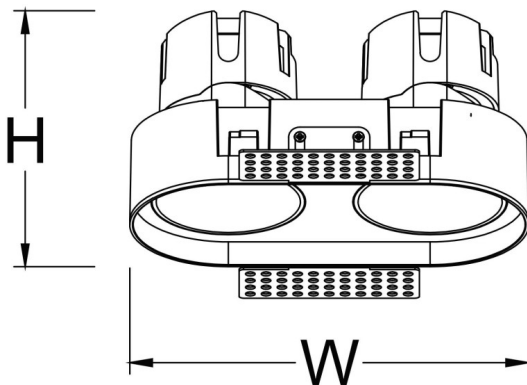
Lavov downlight from the family ZENITH IP65R X2 Trimless with a power of 2X7W and a 24 degrees beam angle. CCT 4000K. Black color. With a total lumen output of 2X560lm and a luminous efficacy of 80lm/W. Made in Die Cast Aluminum. IP65degree of protection. Class II isolation. ON/OFFdriver. UGR19. CRI90.

|                     |                                 |
|---------------------|---------------------------------|
| <b>Item code</b>    | <b>86.D286.0421.02</b>          |
| <b>Product type</b> | <b>Indoor</b>                   |
| <b>Category</b>     | <b>Downlights</b>               |
| <b>Family</b>       | <b>ZENITH</b>                   |
| <b>Subfamily</b>    | <b>ZENITH IP65R X2 Trimless</b> |
| <b>Pictograms</b>   |                                 |

### Dimensions

**Product dimensions (mm)** **Φ65X126xH75mm**

### Scheme



|                                    |                       |
|------------------------------------|-----------------------|
| <b>Product</b>                     |                       |
| <b>Real power (W)</b>              | <b>2X7</b>            |
| <b>Real luminous flux (Lm)</b>     | <b>2X560</b>          |
| <b>Luminous efficiency (Lm/W)</b>  | <b>80</b>             |
| <b>Beam angle (°)</b>              | <b>24</b>             |
| <b>Life time (h)</b>               | <b>50000 h L80B10</b> |
| <b>IP</b>                          | <b>65</b>             |
| <b>Electrical class insulation</b> | <b>Clas II</b>        |
| <b>Colour</b>                      | <b>Black</b>          |
| <b>U. G. R</b>                     | <b>19</b>             |
| <b>Control gear included</b>       | <b>Yes</b>            |
| <b>Control gear</b>                | <b>ON/OFF</b>         |
| <b>Flicker Free</b>                | <b>Yes</b>            |
| <b>Light source</b>                | <b>LED</b>            |
| <b>Type of LED</b>                 | <b>COB</b>            |
| <b>Colour temperature (K)</b>      | <b>4000</b>           |
| <b>Colour consistency (SDCM)</b>   | <b>SDCM&lt;3</b>      |
| <b>CRI</b>                         | <b>90</b>             |