




### ZENITH IP65SX2 Trimless

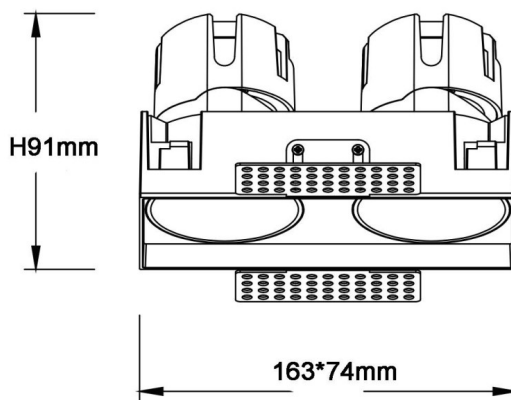
Lavov downlight from the family ZENITH IP65SX2 Trimless with a power of 2X12W and a 12 degrees beam angle. CCT 3000K. Black color. With a total lumen output of 2X960lm and a luminous efficacy of 80lm/W. Made in Die Cast Aluminum. IP65degree of protection. Class II isolation. ON/OFFdriver. UGR19. CRI90.

|                     |   |
|---------------------|---|
| <b>Item code</b>    | <b>86.D287.1311.02</b>  |
| <b>Product type</b> | <b>Indoor</b>   |
| <b>Category</b>     | <b>Downlights</b>   |
| <b>Family</b>       | <b>ZENITH</b>   |
| <b>Subfamily</b>    | <b>ZENITH IP65SX2 Trimless</b>  |
| <b>Pictograms</b>   |  |

### Dimensions

**Product dimensions (mm)** **163x74xH91mm**

### Scheme



|                                    |                       |
|------------------------------------|-----------------------|
| <b>Product</b>                     |                       |
| <b>Real power (W)</b>              | <b>2X12</b>           |
| <b>Real luminous flux (Lm)</b>     | <b>2X960</b>          |
| <b>Luminous efficiency (Lm/W)</b>  | <b>80</b>             |
| <b>Beam angle (°)</b>              | <b>12</b>             |
| <b>Life time (h)</b>               | <b>50000 h L80B10</b> |
| <b>IP</b>                          | <b>65</b>             |
| <b>Electrical class insulation</b> | <b>Clas II</b>        |
| <b>Colour</b>                      | <b>Black</b>          |
| <b>U. G. R</b>                     | <b>19</b>             |
| <b>Control gear included</b>       | <b>Yes</b>            |
| <b>Control gear</b>                | <b>ON/OFF</b>         |
| <b>Flicker Free</b>                | <b>Yes</b>            |
| <b>Light source</b>                | <b>LED</b>            |
| <b>Type of LED</b>                 | <b>COB</b>            |
| <b>Colour temperature (K)</b>      | <b>3000</b>           |
| <b>Colour consistency (SDCM)</b>   | <b>SDCM3</b>          |
| <b>CRI</b>                         | <b>90</b>             |