



PERFORM-R Smart

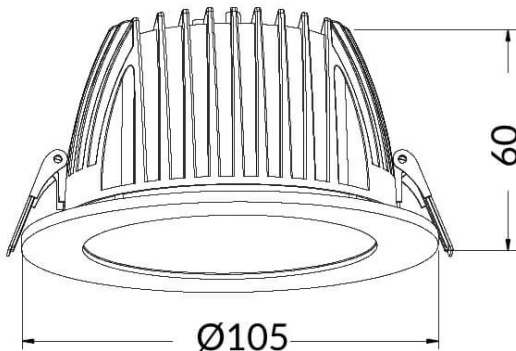
Lavov Downlights from the family PERFORM-R ,power 10 W and CRI 80 with an optic 80 degrees made in Die Cast Aluminum finished in White with a real lumen output of 1000lm and an efficiency of 100lm/W. DALI driver. WIRELESS DIMABLE .

| | |
|--------------|-----------------|
| Item code | 86.DS22.230T.01 |
| Product type | Indoor |
| Category | Downlights |
| Family | PERFORM |
| Subfamily | PERFORM-R Smart |
| Pictograms | |

Dimensions

Product dimensions (mm) **115*48**

Scheme



| | |
|-----------------------------|----------------|
| Product | |
| Real power (W) | 10 |
| Real luminous flux (Lm) | 1000 |
| Luminous efficiency (Lm/W) | 100 |
| Beam angle (°) | 80 |
| Life time (h) | 50000 h L80B10 |
| IP | 20 |
| Electrical class insulation | Clas II |
| Colour | White |
| Control gear included | Yes |
| Control gear | DALI |
| Flicker Free | Yes |
| Light source | LED |
| Type of LED | COB |
| Colour temperature (K) | 3000 |
| Colour consistency (SDCM) | SDCM5 |
| CRI | 80 |