



STAR Smart

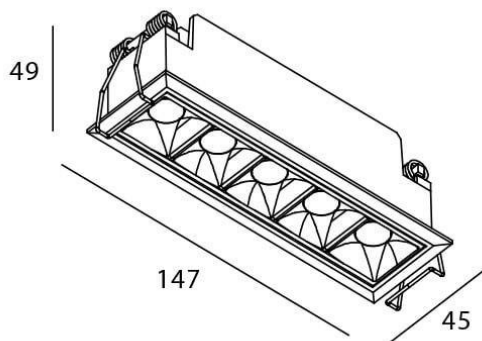
Lavov downlight from the family STAR with a power of 10W and an optics 30 degrees . CCT 4000K. With a total lumen output of 700lm and a luminous efficiency of 70lm/W.DALI+wireless Casambi driver. Made in die cast aluminum and finished in White color. UGR19.

Item code	86.DS29.3429.01
Product type	Indoor
Category	Downlights
Family	STAR
Subfamily	STAR Smart

Pictograms



Scheme



Product	
Real power (W)	10
Real luminous flux (Lm)	700
Luminous efficiency (Lm/W)	70
Beam angle (&ordm;)	30
Life time (h)	50000 h L80B10
IP	20
Electrical class insulation	Clas II
Colour	White
U. G. R	UGR<19
Control gear	DALI+wireless Casambi
Flicker Free	Yes
Light source	LED
Type of LED	SMD
Colour temperature (K)	4000
Colour consistency (SDCM)	SDCM<3
CRI	80