



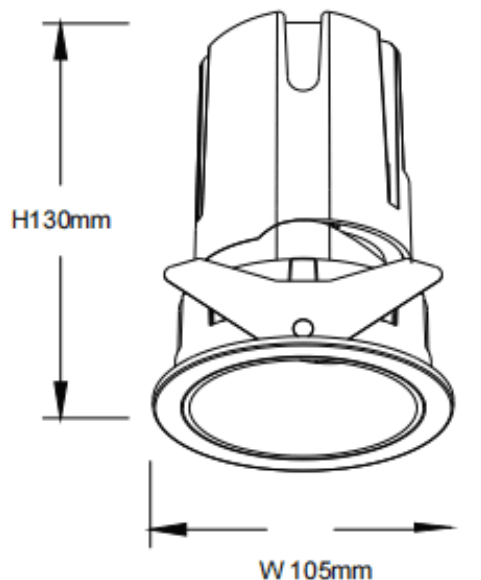
### ZENITH IP65R Smart

Lavov downlight from the family ZENITH IP65R Smart with a power of 30W and a 60 degrees beam angle. CCT 4000K. White color. With a total lumen output of 2400lm and a luminous efficacy of 80lm/W. Made in Die Cast Aluminum. IP65 degree of protection. Class II isolation. DALI+wireless Casambi driver. UGR19. CRI90.

#### Dimensions

Product dimensions (mm)  $\Phi 105 \times 130 \text{mm}$

#### Scheme



#### Photometry

|              |                    |
|--------------|--------------------|
| Item code    | 86.DS84.2419.01    |
| Product type | Indoor             |
| Category     | Downlights         |
| Family       | ZENITH             |
| Subfamily    | ZENITH IP65R Smart |
| Pictograms   |                    |

|                             |                       |
|-----------------------------|-----------------------|
| Product                     |                       |
| Real power (W)              | 30                    |
| Real luminous flux (Lm)     | 2400                  |
| Luminous efficiency (Lm/W)  | 80                    |
| Beam angle (°)              | 60                    |
| Life time (h)               | 50000 h L80B10        |
| IP                          | 65                    |
| Electrical class insulation | Clas II               |
| Colour                      | White                 |
| U. G. R                     | 19                    |
| Control gear included       | Yes                   |
| Control gear                | DALI+wireless Casambi |
| Flicker Free                | Yes                   |
| Light source                | LED                   |
| Type of LED                 | COB                   |
| Colour temperature (K)      | 4000                  |
| Colour consistency (SDCM)   | SDCM<3                |
| CRI                         | 80                    |

