



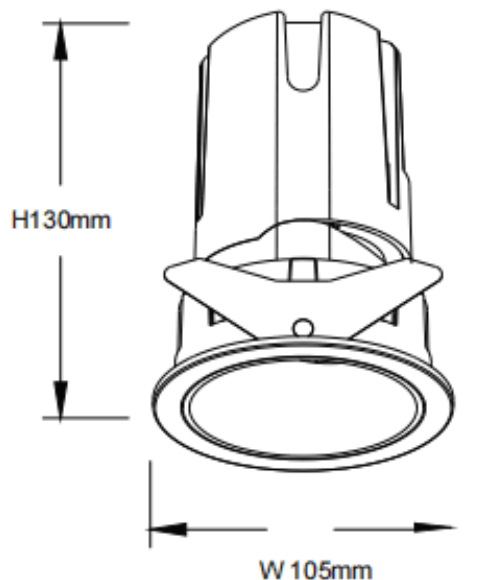
### ZENITH IP65R Smart

Lavov downlight from the family ZENITH IP65R Smart with a power of 30W and a 60 degrees beam angle. CCT 4000K. White color. With a total lumen output of 2400lm and a luminous efficacy of 80lm/W. Made in Die Cast Aluminum. IP65 degree of protection. Class II isolation. DALI+wireless Casambi driver. UGR19. CRI90.

#### Dimensions

Product dimensions (mm)  $\Phi 105 \times 130 \text{mm}$

#### Scheme



#### Photometry

Item code	86.DS84.2449.01
Product type	Indoor
Category	Downlights
Family	ZENITH
Subfamily	ZENITH IP65R Smart
Pictograms	

Product	
Real power (W)	30
Real luminous flux (Lm)	2400
Luminous efficiency (Lm/W)	80
Beam angle (°)	60
Life time (h)	50000 h L80B10
IP	65
Electrical class insulation	Clas II
Colour	White
U. G. R	19
Control gear included	Yes
Control gear	DALI+wireless Casambi
Flicker Free	Yes
Light source	LED
Type of LED	COB
Colour temperature (K)	4000
Colour consistency (SDCM)	SDCM3
CRI	80

