



FLEX C

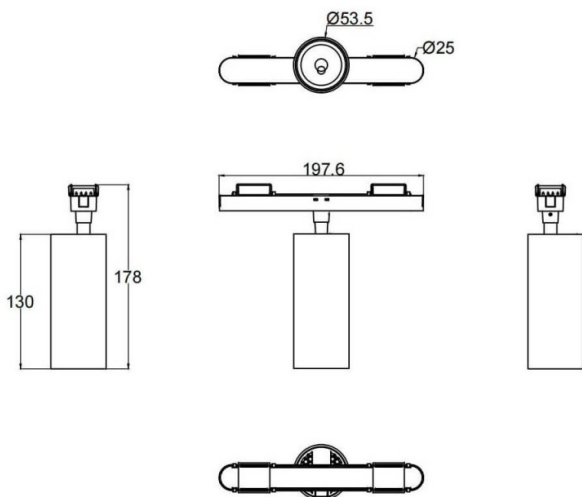
Lavov tracklight from the family FLEX C with a power of 18W and an optics 15° degrees beam angle . CCT 4000K. With a total lumen output of 1170lm and an efficacy of 65lm/W . Made in Die Cast Aluminum body and PC adapter and finished in Black color. ON-OFF driver.

Item code	86.FT01.3411.02
Product type	Indoor
Category	Tracklights
Family	FLEX
Subfamily	FLEX C
Pictograms	

Dimensions

Product dimensions (mm) 197* ϕ 53*172mm

Scheme



Product

Real power (W)	18
Real luminous flux (Lm)	1170
Luminous efficiency (Lm/W)	65
Beam angle (°)	15°
Life time (h)	50000h L80B10
IP	20
Electrical class insulation	Class III
Colour	Black
Control gear included	yes
Control gear	ON-OFF
Colour temperature (K)	4000
Colour consistency (SDCM)	SDCM<3
CRI	90