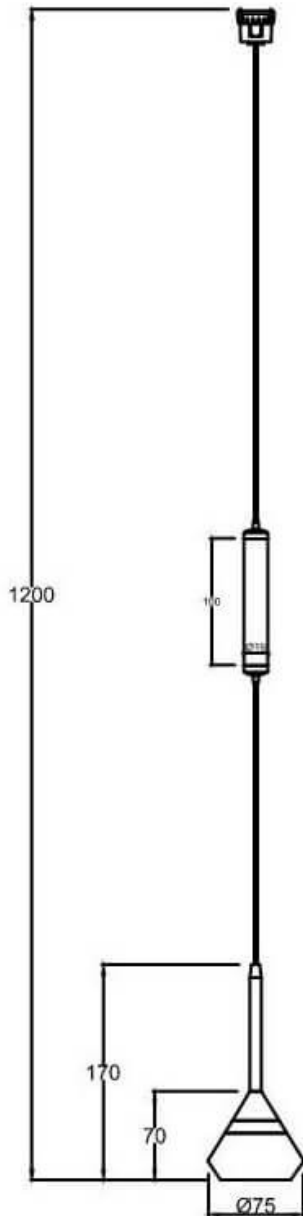




Dimensions

Product dimensions (mm)	197*ϕ80*155mm
--------------------------------	--------------------------------------

Scheme



FLEX SD1

Lavov decorative tracklight from the family FLEX SD1 with a power of 7W and an optics 36° degrees beam angle . CCT 4000K. With a total lumen output of 182lm and an efficacy of 26lm/W . Made in Die Cast Aluminum body and PC adapter and finished in Black color. ON-OFF driver.

Item code	86.FT09.1431.02
Product type	Indoor
Category	Tracklights
Family	FLEX
Subfamily	FLEX SD1
Pictograms	

Product	
Real power (W)	7
Real luminous flux (Lm)	182
Luminous efficiency (Lm/W)	26
Beam angle (°)	36°
Life time (h)	50000h L80B10
IP	20
Electrical class insulation	Class III
Colour	Black
Control gear included	yes
Control gear	ON-OFF
Colour temperature (K)	4000
Colour consistency (SDCM)	SDCM<3
CRI	90