



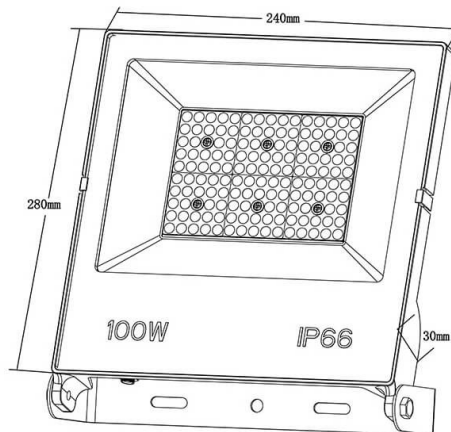
LYRA II

Lavov flood light from the family LYRA II with a power of 100W and an optics 110 degrees . CCT 4000K. With a total lumen output of 12000lm and a luminous efficiency of 120lm/W.ON-OFF driver. Made in die cast aluminum and finished in Black color. IP66 and IK 07 degree of protection.

| | |
|---------------------|-------------------------|
| Item code | 86.I0017.6441.02 |
| Product type | Indoor |
| Category | Industrial |
| Family | LYRA II |

| | | | | | |
|-------------------|----------|-----------------|------------------|--|-----------|
| Pictograms | | 50 60 Hz | 220 240 V | | SDCM 3 |
| | | Driver INCL. | | | CRI 70 |
| | IP 65 | IK 07 | 50000h L70B50 | | |

Scheme



| | |
|------------------------------------|----------------------|
| Product | |
| Real power (W) | 100 |
| Real luminous flux (Lm) | 12000 |
| Luminous efficiency (Lm/W) | 120 |
| Beam angle (°) | 110 |
| Life time (h) | 36000h L70B50 |
| IP | 66 |
| Electrical class insulation | Class I |
| Colour | Black |
| Control gear included | Yes |
| Control gear | ON-OFF |
| Light source | LED |
| Type of LED | 2835 |
| Colour temperature (K) | 4000 |
| Colour consistency (SDCM) | SDCM5 |
| CRI | ≥80 |
| IK | 07 |