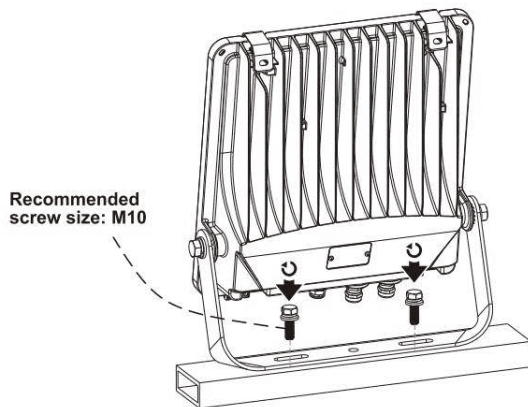




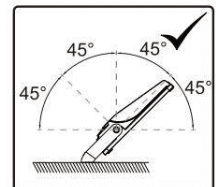
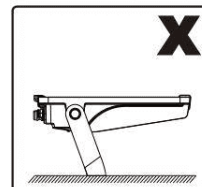
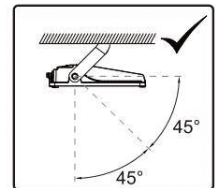
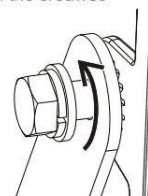
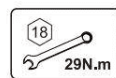
- Installation and wiring of luminaire must be in accordance with all applicable local codes.
- Installation, inspection, and maintenance of luminaires should be performed by a qualified electrician.
- DO NOT make or alter any open holes in the luminaire Do not modify the luminaire.
- DO NOT install damaged product.
- Make sure electrical power is OFF before and during installation and maintenance.
- Make sure the equipment is properly grounded.
- Make sure the supply voltage is same as the rated fixture voltage.

This is not an included accessory and need to be sourced separately.

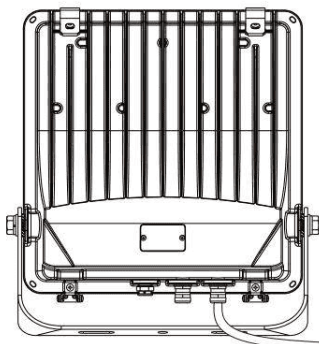


**Rotatable Angle**

loosen the screws



**Connect Wires**



**AC cords**

- |                |  |       |
|----------------|--|-------|
| <b>L</b> brown |  | black |
| <b>N</b> blue  |  | white |
| ⊕ yellow/green |  | green |



**Warning!** Do not wire dim cord to high voltage, or dim function will fail.

**DIM cords**

Note: color for dim cords subject to the cable label on luminaire

