

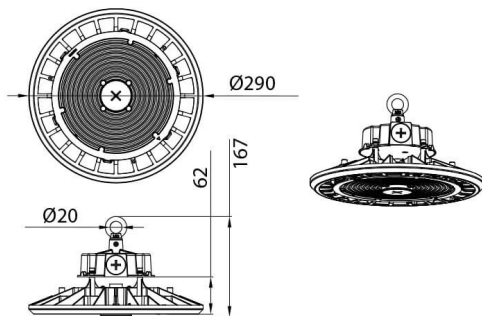


### DRACO II

Lavov High bay from the family DRACO II with a power of 150W (selectable 90/120/150) and an optics 120 degrees . CCT 4000K. With a total lumen output of 21000lm and a luminous efficiency of 140lm/W.DALI Dimmable driver. Made in die cast aluminum and finished in Black color. IP65 and IK 08 degree of protection.

<b>Item code</b>	<b>86.I016.2443.02</b>
<b>Product type</b>	<b>Indoor</b>
<b>Category</b>	<b>Industrial</b>
<b>Family</b>	<b>DRACO II</b>
<b>Subfamily</b>	<b>DRACO II</b>
<b>Pictograms</b>	

### Scheme



<b>Product</b>	
<b>Real power (W)</b>	<b>150</b>
<b>Real luminous flux (Lm)</b>	<b>21000</b>
<b>Luminous efficiency (Lm/W)</b>	<b>140</b>
<b>Beam angle (°)</b>	<b>120</b>
<b>Life time (h)</b>	<b>50000h L70B10</b>
<b>IP</b>	<b>65</b>
<b>Colour</b>	<b>Black</b>
<b>Control gear included</b>	<b>Yes</b>
<b>Control gear</b>	<b>DALI Dimmable</b>
<b>Light source</b>	<b>LED</b>
<b>Type of LED</b>	<b>2835</b>
<b>Colour temperature (K)</b>	<b>4000</b>
<b>Colour consistency (SDCM)</b>	<b>SDCM5</b>
<b>CRI</b>	<b>80</b>
<b>IK</b>	<b>08</b>