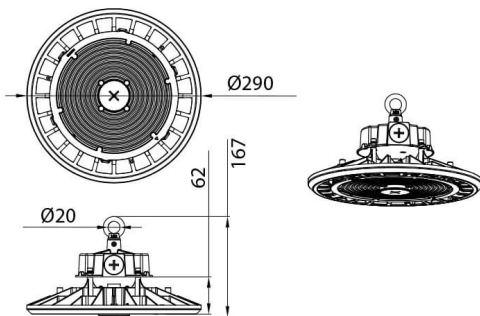





DRACO II

Lavov High bay from the family DRACO II with a power of 200W (selectable 120/160/200) and an optics 120 degrees . CCT 4000K. With a total lumen output of 28000lm and a luminous efficiency of 140lm/W.DALI Dimmable driver. Made in die cast aluminum and finished in Black color. IP65 and IK 08 degree of protection.

Scheme



Item code	86.I016.3443.02
Product type	Indoor
Category	Industrial
Family	DRACO II
Subfamily	DRACO II
Pictograms	

Product	
Real power (W)	200
Real luminous flux (Lm)	28000
Luminous efficiency (Lm/W)	140
Beam angle (°)	120
Life time (h)	50000h L70B10
IP	65
Colour	Black
Control gear included	Yes
Control gear	DALI Dimmable
Light source	LED
Type of LED	2835
Colour temperature (K)	4000
Colour consistency (SDCM)	SDCM5
CRI	80
IK	08