

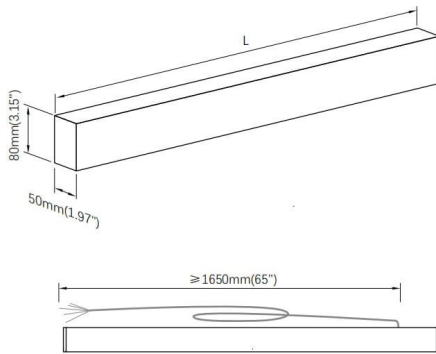
**IPLINE**

Lavov linear system from the family IPLINE with a power of 46W and an optics 107.7 degrees beam angle. CCT 4000. CRI 80. IP65. opal diffuser . UGR22. With a total lumen output of 4404lm and an efficacy of 95.75lm/W . Made in Extruded Aluminium and finished in White color. ON-OFF driver.

**Dimensions**

**Product dimensions (mm)** L1841mm×W50mm×H80mm

**Scheme**



<b>Item code</b>	<b>86.L004.2401.01</b>
<b>Product type</b>	<b>Indoor</b>
<b>Category</b>	<b>Linear Systems</b>
<b>Family</b>	<b>IPLINE</b>
<b>Pictograms</b>	

<b>Product</b>	
<b>Real power (W)</b>	<b>46</b>
<b>Real luminous flux (Lm)</b>	<b>4404</b>
<b>Luminous efficiency (Lm/W)</b>	<b>95.75</b>
<b>Beam angle (°)</b>	<b>107.7</b>
<b>Life time (h)</b>	<b>50000h L80B10</b>
<b>IP</b>	<b>65</b>
<b>Colour</b>	<b>White</b>
<b>U. G. R</b>	<b>22</b>
<b>Control gear included</b>	<b>Yes</b>
<b>Control gear</b>	<b>ON-OFF</b>
<b>Light source</b>	<b>LED</b>
<b>Type of LED</b>	<b>SMD</b>
<b>Average life time (h)</b>	<b>50000h L80B10</b>
<b>Colour temperature (K)</b>	<b>4000</b>
<b>Colour consistency (SDCM)</b>	<b>SDCM&lt;3</b>
<b>CRI</b>	<b>80</b>