



**C-SLINE**

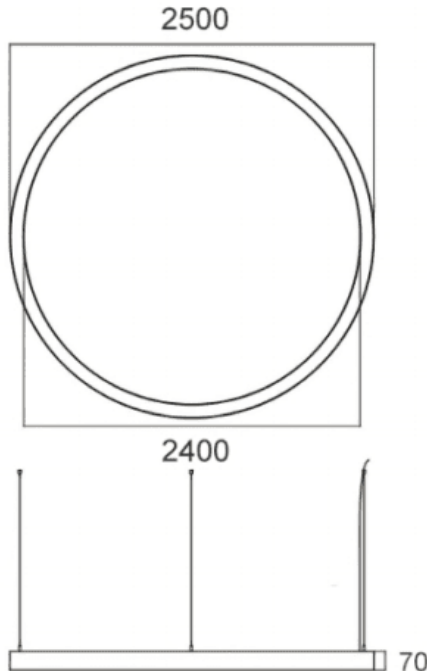
Lavov linear system from the family IPLINE with a power of 155W and a beam angle of 108°. Finished in Silver grey colour.

Dimensions  $\Phi 2500\text{mm} \times W50\text{mm} \times H70\text{mm}$ . With a total lumen output of 13175lm and a luminous efficacy of 85lm/W. Made in Extruded Aluminium. Driver ON-OFF. CCT 3000K.

**Dimensions**

**Product dimensions (mm)**  $\Phi 2500\text{mm} \times W50\text{mm} \times H70\text{mm}$

**Scheme**



<b>Item code</b>	<b>86.L004.5301.03</b>
<b>Product type</b>	<b>Indoor</b>
<b>Category</b>	<b>Linear Systems</b>
<b>Family</b>	<b>C-SLINE</b>
<b>Pictograms</b>	

<b>Product</b>	
<b>Real power (W)</b>	<b>155</b>
<b>Real luminous flux (Lm)</b>	<b>13175</b>
<b>Luminous efficiency (Lm/W)</b>	<b>85</b>
<b>Beam angle (&amp;ordm;)</b>	<b>108</b>
<b>Life time (h)</b>	<b>50000h L80B10</b>
<b>IP</b>	<b>40</b>
<b>Colour</b>	<b>silver grey</b>
<b>U. G. R</b>	<b>22</b>
<b>Control gear included</b>	<b>Yes</b>
<b>Control gear</b>	<b>ON-OFF</b>
<b>Light source</b>	<b>LED</b>
<b>Type of LED</b>	<b>SMD</b>
<b>Average life time (h)</b>	<b>50000h L80B10</b>
<b>Colour temperature (K)</b>	<b>3000</b>
<b>Colour consistency (SDCM)</b>	<b>SDCM&lt;3</b>
<b>CRI</b>	<b>80</b>