



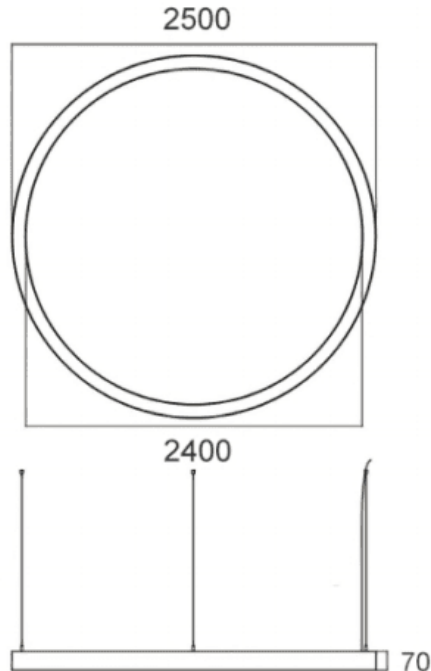
C-SLINE

Lavov linear system from the family IPLINE with a power of 155W and a beam angle of 108°. Finished in White colour. Dimensions $\Phi 2500\text{mm} \times W50\text{mm} \times H70\text{mm}$. With a total lumen output of 13175lm and a luminous efficacy of 85lm/W. Made in Extruded Aluminium. Driver ON-OFF. CCT 4000K.

Dimensions

Product dimensions (mm) $\Phi 2500\text{mm} \times W50\text{mm} \times H70\text{mm}$

Scheme



Item code	86.L004.5401.01
Product type	Indoor
Category	Linear Systems
Family	C-SLINE
Pictograms	

Product	
Real power (W)	155
Real luminous flux (Lm)	13175
Luminous efficiency (Lm/W)	85
Beam angle (&ordm;)	108
Life time (h)	50000h L80B10
IP	40
Colour	White
U. G. R	22
Control gear included	Yes
Control gear	ON-OFF
Light source	LED
Type of LED	SMD
Average life time (h)	50000h L80B10
Colour temperature (K)	4000
Colour consistency (SDCM)	SDCM<3
CRI	80