



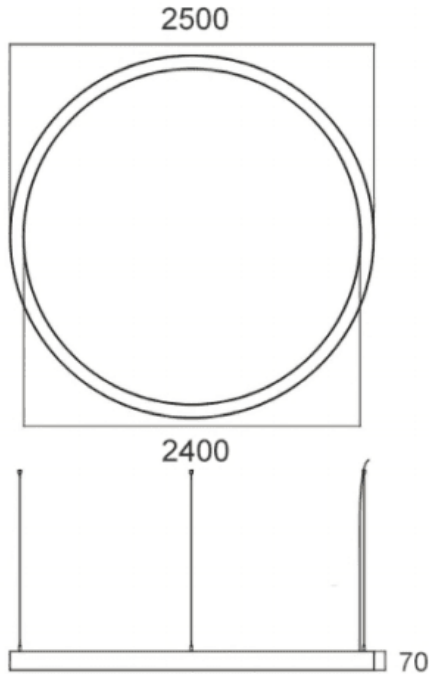
C-SLINE

Lavov linear system from the family IPLINE with a power of 155W and a beam angle of 108°. Finished in Black colour. Dimensions $\Phi 2500\text{mm} \times W50\text{mm} \times H70\text{mm}$. With a total lumen output of 13175lm and a luminous efficacy of 85lm/W. Made in Extruded Aluminium. Driver ON-OFF. CCT 4000K.

Dimensions

Product dimensions (mm) $\Phi 2500\text{mm} \times W50\text{mm} \times H70\text{mm}$

Scheme



| | |
|---------------------|------------------------|
| Item code | 86.L004.5401.02 |
| Product type | Indoor |
| Category | Linear Systems |
| Family | C-SLINE |
| Pictograms | |

| | |
|-----------------------------------|----------------------|
| Product | |
| Real power (W) | 155 |
| Real luminous flux (Lm) | 13175 |
| Luminous efficiency (Lm/W) | 85 |
| Beam angle (&ordm;) | 108 |
| Life time (h) | 50000h L80B10 |
| IP | 40 |
| Colour | Black |
| U. G. R | 22 |
| Control gear included | Yes |
| Control gear | ON-OFF |
| Light source | LED |
| Type of LED | SMD |
| Average life time (h) | 50000h L80B10 |
| Colour temperature (K) | 4000 |
| Colour consistency (SDCM) | SDCM<3 |
| CRI | 80 |