

### NEON SIDE

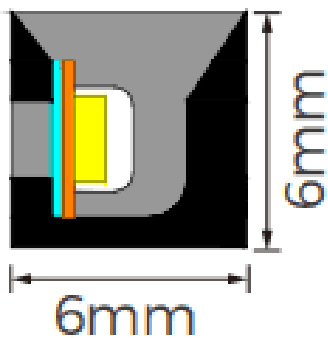
Lavov LED strip from the family NEON 2835 with a power of 8W/m and a beam angle of 114.3°. Dimensions 6x6x5000mm, cut at 29,4mm, 238 LED/m 2835 type With a total lumen output of 455lm/m and a luminous efficacy of 56.875lm/W. CCT 3000. CRI>90.

<b>Item code</b>	<b>86.LN01.1300.90</b>
<b>Product type</b>	<b>Indoor</b>
<b>Category</b>	<b>LED Strips</b>
<b>Family</b>	<b>NEON SIDE</b>
<b>Pictograms</b>	<div style="display: flex; gap: 10px;"> <div style="border: 1px solid gray; border-radius: 5px; padding: 2px 5px;">CRI 90</div> <div style="border: 1px solid gray; border-radius: 5px; padding: 2px 5px;">Driver EXCL.</div> <div style="border: 1px solid gray; border-radius: 5px; padding: 2px 5px;">IP 67</div> </div>

### Dimensions

**Product dimensions (mm)** 6x6x5000mm, cut at 29,4mm, 238 LED/m 2835 type

### Scheme



<b>Product</b>	
<b>Real power (W)</b>	<b>8</b>
<b>Real luminous flux (Lm)</b>	<b>455</b>
<b>Luminous efficiency (Lm/W)</b>	<b>56.875</b>
<b>Beam angle (°)</b>	<b>114.3</b>
<b>Life time (h)</b>	<b>30000h</b>
<b>IP</b>	<b>67</b>
<b>Electrical feeding</b>	<b>24V</b>
<b>Control gear included</b>	<b>not</b>
<b>Light source</b>	<b>LED</b>
<b>Type of LED</b>	<b>2835</b>
<b>Colour temperature (K)</b>	<b>3000</b>
<b>Colour consistency (SDCM)</b>	<b>SDCM3</b>
<b>CRI</b>	<b>90</b>

### Photometry

