

NEON SIDE

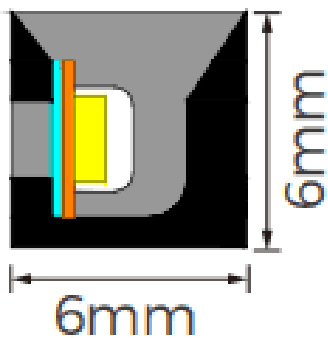
Lavov LED strip from the family NEON 2835 with a power of 8W/m and a beam angle of 114.3° Dimensions 6x6x5000mm, cut at 29,4mm, 238 LED/m 2835 type With a total lumen output of 470lm/m and a luminous efficacy of 58.75lm/W. CCT 4000. CRI>90.

Item code	86.LN01.1400.90
Product type	Indoor
Category	LED Strips
Family	NEON SIDE
Pictograms	<div style="display: flex; gap: 5px;"> <div style="border: 1px solid gray; padding: 2px; font-size: 8px;">CRI 90</div> <div style="border: 1px solid gray; padding: 2px; font-size: 8px;">Driver EXCL.</div> <div style="border: 1px solid gray; padding: 2px; font-size: 8px;">IP 67</div> </div>

Dimensions

Product dimensions (mm) 6x6x5000mm, cut at 29,4mm, 238 LED/m 2835 type

Scheme



Product	
Real power (W)	8
Real luminous flux (Lm)	470
Luminous efficiency (Lm/W)	58.75
Beam angle (&ordm;)	114.3
Life time (h)	30000h
IP	67
Electrical feeding	24V
Control gear included	not
Light source	LED
Type of LED	2835
Colour temperature (K)	4000
Colour consistency (SDCM)	SDCM<3
CRI	90

Photometry

