

NEON SIDE

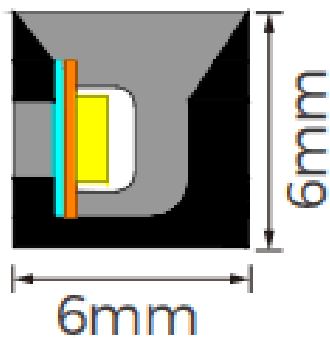
Lavov LED strip from the family NEON 2835 with a power of 8W/m and a beam angle of 114.3°. Dimensions 6x6x5000mm, cut at 29,4mm, 238 LED/m 2835 type With a total lumen output of 470lm/m and a luminous efficacy of 58.75lm/W. CCT 5000. CRI>90.

Item code	86.LN01.1500.90
Product type	Indoor
Category	LED Strips
Family	NEON SIDE
Pictograms	<div style="display: flex; gap: 10px;"> <div style="border: 1px solid gray; padding: 2px;">CRI 90</div> <div style="border: 1px solid gray; padding: 2px;">Driver EXCL.</div> <div style="border: 1px solid gray; padding: 2px;">IP 67</div> </div>

Dimensions

Product dimensions (mm) 6x6x5000mm, cut at 29,4mm, 238 LED/m 2835 type

Scheme



Product	
Real power (W)	8
Real luminous flux (Lm)	470
Luminous efficiency (Lm/W)	58.75
Beam angle (°)	114.3
Life time (h)	30000h
IP	67
Electrical feeding	24V
Control gear included	not
Light source	LED
Type of LED	2835
Colour temperature (K)	5000
Colour consistency (SDCM)	SDCM3
CRI	90

Photometry

