

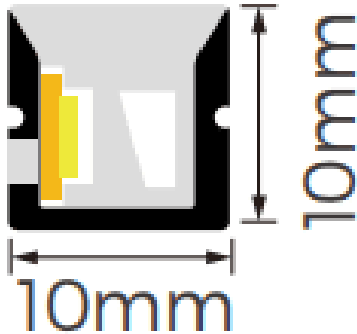
NEON 2835

Lavov LED strip from the family NEON 2835 with a power of 10W/m and a beam angle of 114.3°. Dimensions 10X10x5000mm, cut at 33,3mm, 180 LED/m 2835 type With a total lumen output of 490lm/m and a luminous efficacy of 49lm/W. CCT 2700. CRI>90.

Dimensions

Product dimensions (mm) 10X10x5000mm, cut at 33,3mm, 180 LED/m 2835 type

Scheme



Item code	86.LN01.3200.90
Product type	Indoor
Category	LED Strips
Family	NEON SIDE
Subfamily	NEON 2835
Pictograms	<div style="display: flex; gap: 10px;"> <div style="border: 1px solid gray; border-radius: 5px; padding: 2px 5px;">CRI 90</div> <div style="border: 1px solid gray; border-radius: 5px; padding: 2px 5px;">Driver EXCL.</div> <div style="border: 1px solid gray; border-radius: 5px; padding: 2px 5px;">IP 67</div> </div>

Product	
Real power (W)	10
Real luminous flux (Lm)	490
Luminous efficiency (Lm/W)	49
Beam angle (°)	114.3
Life time (h)	30000h
IP	67
Electrical feeding	24V
Control gear included	not
Light source	LED
Type of LED	2835
Colour temperature (K)	2700
Colour consistency (SDCM)	SDCM3
CRI	90