

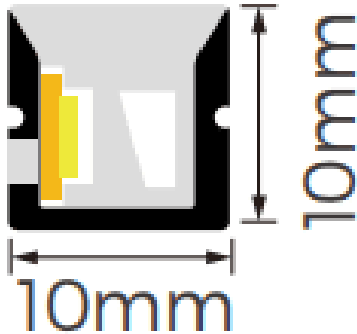
NEON 2835

Lavov LED strip from the family NEON 2835 with a power of 10W/m and a beam angle of 114.3°. Dimensions 10X10x5000mm, cut at 33,3mm, 180 LED/m 2835 type With a total lumen output of 500lm/m and a luminous efficacy of 50lm/W. CCT 3000. CRI>90.

Dimensions

Product dimensions (mm) 10X10x5000mm, cut at 33,3mm, 180 LED/m 2835 type

Scheme



Item code	86.LN01.3300.90
------------------	------------------------

Product type	Indoor
---------------------	---------------

Category	LED Strips
-----------------	-------------------

Family	NEON SIDE
---------------	------------------

Subfamily	NEON 2835
------------------	------------------

Pictograms	<table border="1"> <tr> <td>CRI 90</td> <td>Driver EXCL.</td> <td>IP 67</td> </tr> </table>	CRI 90	Driver EXCL.	IP 67
CRI 90	Driver EXCL.	IP 67		

Product

Real power (W)	10
-----------------------	-----------

Real luminous flux (Lm)	500
--------------------------------	------------

Luminous efficiency (Lm/W)	50
-----------------------------------	-----------

Beam angle (°)	114.3
-----------------------	--------------

Life time (h)	30000h
----------------------	---------------

IP	67
-----------	-----------

Electrical feeding	24V
---------------------------	------------

Control gear included	not
------------------------------	------------

Light source	LED
---------------------	------------

Type of LED	2835
--------------------	-------------

Colour temperature (K)	3000
-------------------------------	-------------

Colour consistency (SDCM)	SDCM3
----------------------------------	--------------

CRI	90
------------	-----------