

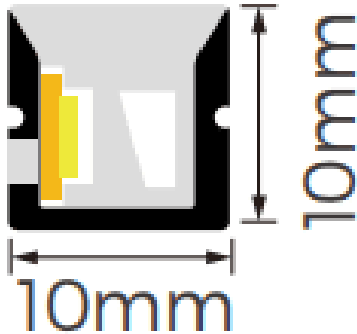
NEON 2835

Lavov LED strip from the family NEON 2835 with a power of 10W/m and a beam angle of 114.3°. Dimensions 10X10x5000mm, cut at 33,3mm, 180 LED/m 2835 type With a total lumen output of 520lm/m and a luminous efficacy of 52lm/W. CCT 4000. CRI>90.

Dimensions

Product dimensions (mm) 10X10x5000mm, cut at 33,3mm, 180 LED/m 2835 type

Scheme



| | |
|------------------|------------------------|
| Item code | 86.LN01.3400.90 |
|------------------|------------------------|

| | |
|---------------------|---------------|
| Product type | Indoor |
|---------------------|---------------|

| | |
|-----------------|-------------------|
| Category | LED Strips |
|-----------------|-------------------|

| | |
|---------------|------------------|
| Family | NEON SIDE |
|---------------|------------------|

| | |
|------------------|------------------|
| Subfamily | NEON 2835 |
|------------------|------------------|

| | | | | |
|-------------------|---|-----------|-----------------|----------|
| Pictograms | <table border="1"> <tr> <td>CRI 90</td> <td>Driver EXCL.</td> <td>IP 67</td> </tr> </table> | CRI 90 | Driver EXCL. | IP 67 |
| CRI 90 | Driver EXCL. | IP 67 | | |

Product

| | |
|-----------------------|-----------|
| Real power (W) | 10 |
|-----------------------|-----------|

| | |
|--------------------------------|------------|
| Real luminous flux (Lm) | 520 |
|--------------------------------|------------|

| | |
|-----------------------------------|-----------|
| Luminous efficiency (Lm/W) | 52 |
|-----------------------------------|-----------|

| | |
|-----------------------|--------------|
| Beam angle (°) | 114.3 |
|-----------------------|--------------|

| | |
|----------------------|---------------|
| Life time (h) | 30000h |
|----------------------|---------------|

| | |
|-----------|-----------|
| IP | 67 |
|-----------|-----------|

| | |
|---------------------------|------------|
| Electrical feeding | 24V |
|---------------------------|------------|

| | |
|------------------------------|------------|
| Control gear included | not |
|------------------------------|------------|

| | |
|---------------------|------------|
| Light source | LED |
|---------------------|------------|

| | |
|--------------------|-------------|
| Type of LED | 2835 |
|--------------------|-------------|

| | |
|-------------------------------|-------------|
| Colour temperature (K) | 4000 |
|-------------------------------|-------------|

| | |
|----------------------------------|--------------|
| Colour consistency (SDCM) | SDCM3 |
|----------------------------------|--------------|

| | |
|------------|-----------|
| CRI | 90 |
|------------|-----------|