



NEON FRONT

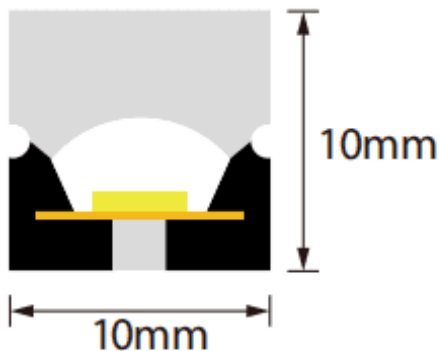
Lavov LED strip from the family NEON 2835 with a power of 14W/m and a beam angle of 170°. Dimensions PCB 8mm width, body 10X10Xy 5000 mm length, cut every 38,46 mm, 182 LED/m, 2835 type. With a total lumen output of 1305lm/m and a luminous efficacy of 93.2lm/W. CCT 2700. CRI>90.

Item code	86.LN02.1200.90
Product type	Indoor
Category	LED Strips
Family	NEON FRONT
Pictograms	<div style="display: flex; gap: 10px;"> <div style="border: 1px solid gray; padding: 2px;">CRI 90</div> <div style="border: 1px solid gray; padding: 2px;">Driver EXCL.</div> <div style="border: 1px solid gray; padding: 2px;">IP 67</div> </div>

Dimensions

Product dimensions (mm)	PCB 8mm width, body 10X10Xy 5000 mm length, cut every 38,46 mm, 182 LED/m, 2835 type.
--------------------------------	--

Scheme



Product	
Real power (W)	14
Real luminous flux (Lm)	1305
Luminous efficiency (Lm/W)	93.2
Beam angle (°)	170
Life time (h)	30000h
IP	67
Electrical feeding	24V
Control gear included	not
Light source	LED
Type of LED	2835
Colour temperature (K)	2700
Colour consistency (SDCM)	SDCM3
CRI	90

Photometry

