

NEON 2835

Lavov LED strip from the family NEON 2835 with a power of 14W/m and a beam angle of 170°. Dimensions PCB 8mm width, body 10X10Xy 5000 mm length, cut every 38,46 mm, 182 LED/m, 2835 type. With a total lumen output of 1320lm/m and a luminous efficacy of 94.3lm/W. CCT 3000. CRI>90.

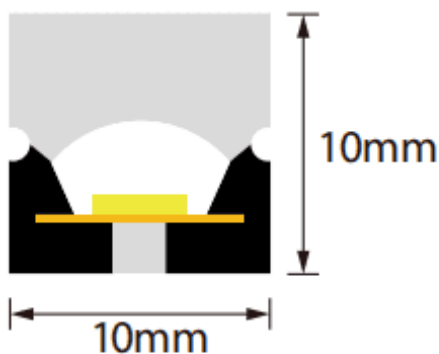
Item code	86.LN02.1300.90
Product type	Indoor
Category	LED Strips
Family	NEON FRONT
Subfamily	NEON 2835
Pictograms	<div style="display: flex; gap: 5px;"> <div style="border: 1px solid gray; border-radius: 5px; padding: 2px;">CRI 90</div> <div style="border: 1px solid gray; border-radius: 5px; padding: 2px;">Driver EXCL.</div> <div style="border: 1px solid gray; border-radius: 5px; padding: 2px;">IP 67</div> </div>

Product	
Real power (W)	14
Real luminous flux (Lm)	1320
Luminous efficiency (Lm/W)	94.3
Beam angle (°)	170
Life time (h)	30000h
IP	67
Electrical feeding	24V
Control gear included	not
Light source	LED
Type of LED	2835
Colour temperature (K)	3000
Colour consistency (SDCM)	SDCM<3
CRI	90

Dimensions

Product dimensions (mm)	PCB 8mm width, body 10X10Xy 5000 mm length, cut every 38,46 mm, 182 LED/m, 2835 type.
-------------------------	---

Scheme



Photometry

