



NEON 2835

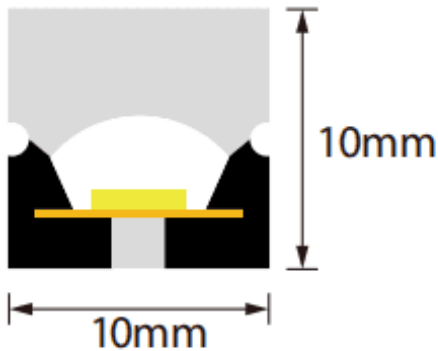
Lavov LED strip from the family NEON 2835 with a power of 14W/m and a beam angle of 170°. Dimensions PCB 8mm width, body 10X10Xy 5000 mm length, cut every 38,46 mm, 182 LED/m, 2835 type. With a total lumen output of 1400lm/m and a luminous efficacy of 100lm/W. CCT 5000. CRI>90.

Item code	86.LN02.1500.90
Product type	Indoor
Category	LED Strips
Family	NEON FRONT
Subfamily	NEON 2835
Pictograms	<div style="display: flex; gap: 10px;"> <div style="border: 1px solid gray; border-radius: 5px; padding: 2px 5px;">CRI 90</div> <div style="border: 1px solid gray; border-radius: 5px; padding: 2px 5px;">Driver EXCL.</div> <div style="border: 1px solid gray; border-radius: 5px; padding: 2px 5px;">IP 67</div> </div>

Dimensions

Product dimensions (mm)	PCB 8mm width, body 10X10Xy 5000 mm length, cut every 38,46 mm, 182 LED/m, 2835 type.
--------------------------------	--

Scheme



Photometry

Product	
Real power (W)	14
Real luminous flux (Lm)	1400
Luminous efficiency (Lm/W)	100
Beam angle (°)	170
Life time (h)	30000h
IP	67
Electrical feeding	24V
Control gear included	not
Light source	LED
Type of LED	2835
Colour temperature (K)	5000
Colour consistency (SDCM)	SDCM3
CRI	90

