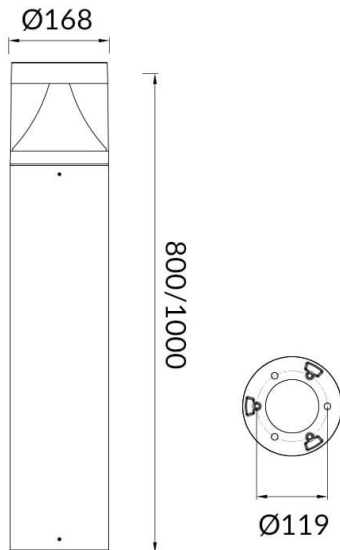




### TONDO

Outdoor Bollards from the family TONDO with a power of 25W and an Assymetric lighting distribution. Dimmensions diam. 168mm and 800mm height. Real lumen output of 1650lm and an efficiency of 66lm/W . With a CCT of 3000K. IP65 and IK08 degree of protection. Made in Die Cast Aluminium Body, Extruded Aluminum Pole and finished in Black color.ON-OFF driver.

### Scheme



### Photometry

Item code	86.OB02.1311.02
Product type	Outdoor
Category	Bollards
Family	TONDO
Pictograms	

Product	
Real power (W)	25
Real luminous flux (Lm)	1650
Luminous efficiency (Lm/W)	66
Beam angle (°)	Assymetric
Life time (h)	50000h L70B10
IP	65
Electrical class insulation	Class I
Colour	Black
Chip Brand	SUNPU
Control gear included	yes
Control gear	ON-OFF
Light source	LED
Type of LED	Philips
Colour temperature (K)	3000
Colour consistency (SDCM)	SDCM3
CRI	75
IK	IK08

