

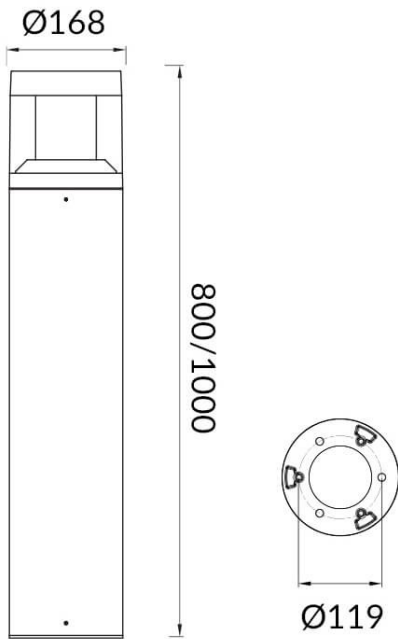


---

---

**Scheme**

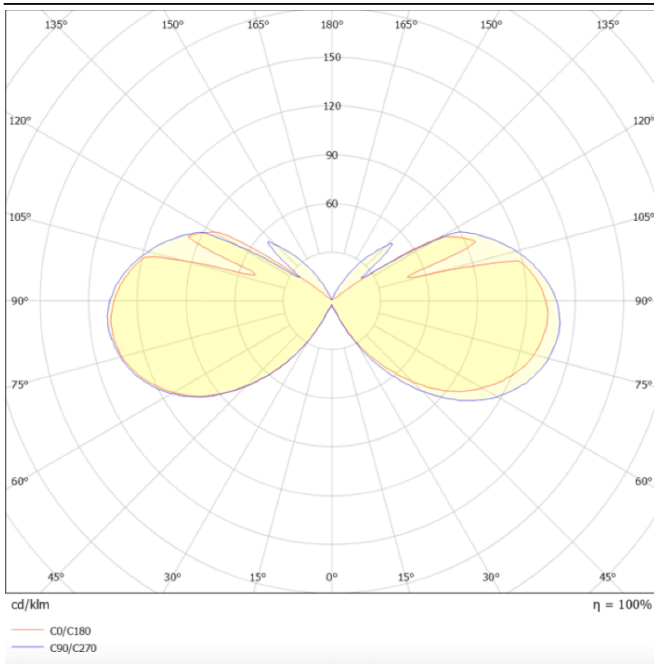
---



---

---

**Photometry**



**TONDO FLAT**

Outdoor Bollards from the family TONDO FLAT with a power of 25W and an Assymetric lighting distribution. Dimmensions diam. 168mm and 1000mm height. Real lumen output of 2250lm and an efficiency of 90lm/W . With a CCT of 3000K. IP65 and IK08 degree of protection. Made in Die Cast Aluminium Body, Extruded Aluminum Pole and finished in Black color.ON-OFF driver.

<b>Item code</b>	<b>86.OB03.4311.02</b>
<b>Product type</b>	<b>Outdoor</b>
<b>Category</b>	<b>Bollards</b>
<b>Family</b>	<b>TONDO FLAT</b>
<b>Pictograms</b>	

<b>Product</b>	
<b>Real power (W)</b>	<b>25</b>
<b>Real luminous flux (Lm)</b>	<b>2250</b>
<b>Luminous efficiency (Lm/W)</b>	<b>90</b>
<b>Beam angle (°)</b>	<b>Assymetric</b>
<b>Life time (h)</b>	<b>50000h L70B10</b>
<b>IP</b>	<b>65</b>
<b>Electrical class insulation</b>	<b>Class I</b>
<b>Colour</b>	<b>Black</b>
<b>Chip Brand</b>	<b>SUNPU</b>
<b>Control gear included</b>	<b>yes</b>
<b>Control gear</b>	<b>ON-OFF</b>
<b>Light source</b>	<b>LED</b>
<b>Colour temperature (K)</b>	<b>3000</b>
<b>Colour consistency (SDCM)</b>	<b>SDCM&lt;3</b>
<b>CRI</b>	<b>75</b>
<b>IK</b>	<b>IK08</b>