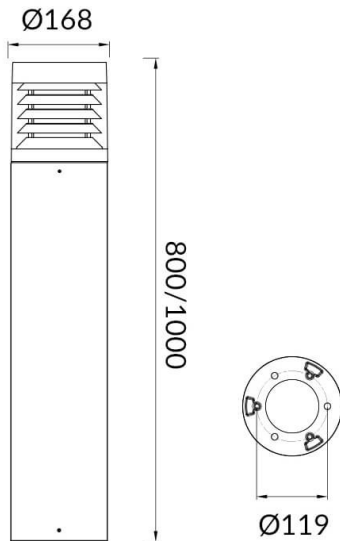




COMFORT

Outdoor Bollards from the family COMFORT with a power of 15W and an Assymetric lighting distribution. Dimmensions diam. 168mm and 1000mm height. Real lumen output of 1850lm and an efficiency of 123.33lm/W . With a CCT of 3000K. IP65 and IK08 degree of protection. Made in Die Cast Aluminium Body, Extruded Aluminum Pole and finished in Black color.ON-OFF driver.

Scheme



Photometry

Item code	86.OB04.2311.02
Product type	Outdoor
Category	Bollards
Family	COMFORT
Pictograms	

Product	
Real power (W)	15
Real luminous flux (Lm)	1850
Luminous efficiency (Lm/W)	123.33
Beam angle (º)	Assymetric
Life time (h)	50000h L70B10
IP	65
Electrical class insulation	Class I
Colour	Black
Chip Brand	SUNPU
Control gear included	yes
Control gear	ON-OFF
Light source	LED
Colour temperature (K)	3000
Colour consistency (SDCM)	SDCM<3
CRI	75
IK	IK08

