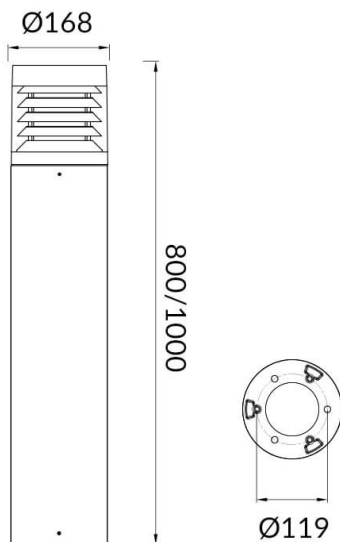




### COMFORT

Outdoor Bollards from the family COMFORT with a power of 25W and an Assymetric lighting distribution. Dimmensions diam. 168mm and 800mm height. Real lumen output of 1850lm and an efficiency of 74lm/W . With a CCT of 3000K. IP65 and IK08 degree of protection. Made in Die Cast Aluminium Body, Extruded Aluminum Pole and finished in Black color.ON-OFF driver.

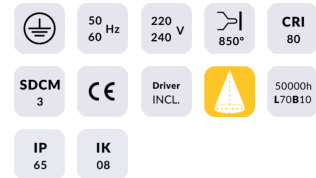
### Scheme



### Photometry

|              |                 |
|--------------|-----------------|
| Item code    | 86.OB04.3311.02 |
| Product type | Outdoor         |
| Category     | Bollards        |
| Family       | COMFORT         |

### Pictograms



|                             |               |
|-----------------------------|---------------|
| Product                     |               |
| Real power (W)              | 25            |
| Real luminous flux (Lm)     | 1850          |
| Luminous efficiency (Lm/W)  | 74            |
| Beam angle (&ordm;)         | Assymetric    |
| Life time (h)               | 50000h L70B10 |
| IP                          | 65            |
| Electrical class insulation | Class I       |
| Colour                      | Black         |
| Chip Brand                  | SUNPU         |
| Control gear included       | yes           |
| Control gear                | ON-OFF        |
| Light source                | LED           |
| Colour temperature (K)      | 3000          |
| Colour consistency (SDCM)   | SDCM<3        |
| CRI                         | 75            |
| IK                          | IK08          |

