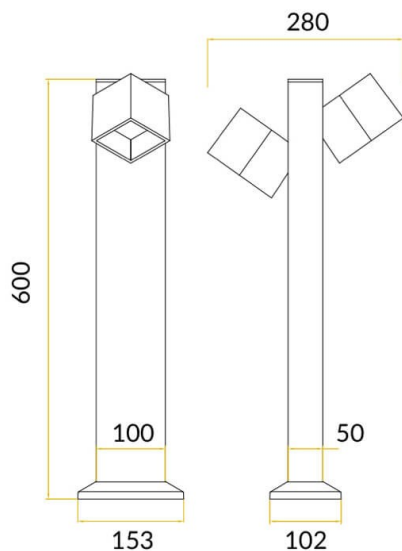


SPOT DUO

Outdoor Bollards from the family SPOT DUO with a power of 16W and an Assymetric lighting distribution. Dimmensions pole: 50x100mm and 600mm height. Real lumen output of 920lm and an efficiency of 57.5lm/W . With a CCT of 3000K. IP65 and IK08 degree of protection. Made in Die Cast Aluminium Body, Extruded Aluminum Pole and finished in Black color.ON-OFF driver.

Scheme



Photometry

Item code	86.OB05.2311.02
Product type	Outdoor
Category	Bollards
Family	SPOT & SPOT DUO
Subfamily	SPOT DUO
Pictograms	

Product	
Real power (W)	16
Real luminous flux (Lm)	920
Luminous efficiency (Lm/W)	57.5
Beam angle (°)	Assymetric
Life time (h)	50000h L70B10
IP	65
Electrical class insulation	Class I
Colour	Black
Chip Brand	SUNPU
Control gear included	yes
Control gear	ON-OFF
Light source	LED
Type of LED	COB
Colour temperature (K)	3000
Colour consistency (SDCM)	SDCM3
CRI	75
IK	IK08

