

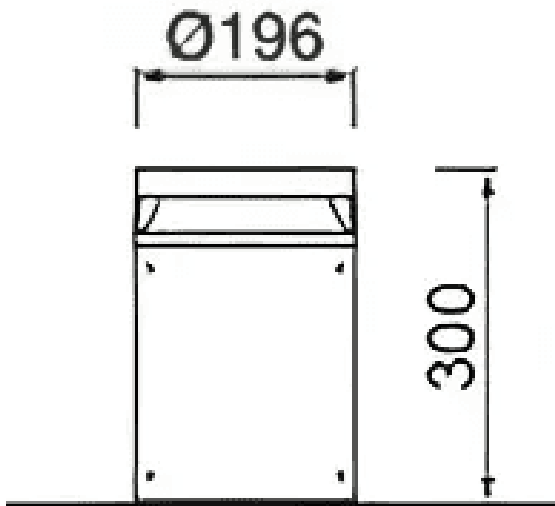
SLOT-RM

Lavov bollard from the family SLOT-RM, with a power of 9W and a 180 degrees beam angle. Finished in Black colour. Dimensions $\varnothing 118 \times H 300 \text{mm}$. With a total lumen output of 1080lm and a luminous efficiency of 90lm/W. CCT 3000K. Driver ON-OFF. Made in Die Cast Aluminium Body, extruded aluminium pole, PC diffuser. .IP66. IK09

Dimensions

Product dimensions (mm) $\varnothing 118 \times H 300 \text{mm}$

Scheme



| | |
|--------------|-----------------|
| Item code | 86.OB23.1301.02 |
| Product type | Outdoor |
| Category | Bollards |
| Family | SLOT-RM |
| Pictograms | |

| | |
|----------------------------|---------------|
| Product | |
| Real power (W) | 9 |
| Real luminous flux (Lm) | 1080 |
| Luminous efficiency (Lm/W) | 90 |
| Beam angle (°) | 180 |
| Life time (h) | 50000h L80B10 |
| IP | IP66 |
| Colour | Black |
| Control gear included | Yes |
| Control gear | ON-OFF |
| Light source | LED |
| Type of LED | SMD |
| Colour temperature (K) | 3000 |
| Colour consistency (SDCM) | SDCM3 |
| CRI | 90 |
| IK | IK09 |