



PILAR

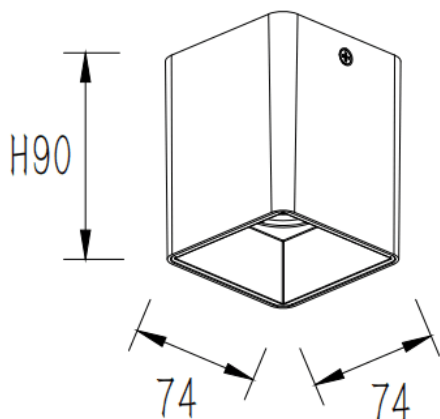
Lavov Ceiling downlight from the family PILAR with a power of 15W and a 20 beam angle. Finished in White colour. Dimensions 74x74x90 mm.. With a total lumen output of 1200lm and a luminous efficiency of 80lm/W. CCT 3000K. Driver ON-OFF. Made in Die Cast Aluminium Body, Front Cover Tempered Glass. .IP65.

Item code	86.OC01.1311.01
Product type	Outdoor
Category	Surface Ceiling Downlight
Family	PILAR
Pictograms	

Dimensions

Product dimensions (mm) **74x74x90 mm**

Scheme



Photometry

Product	
Real power (W)	15
Real luminous flux (Lm)	1200
Luminous efficiency (Lm/W)	80
Beam angle (°)	20
Life time (h)	50000h L80B10
IP	IP65
Colour	White
Control gear included	Yes
Control gear	ON-OFF
Light source	LED
Type of LED	COB
Colour temperature (K)	3000
Colour consistency (SDCM)	SDCM3
CRI	80

**SURFACE CEILING DOWNLIGHT -
PILAR**

Item code 86.OC01.1311.01

