



**PILAR**

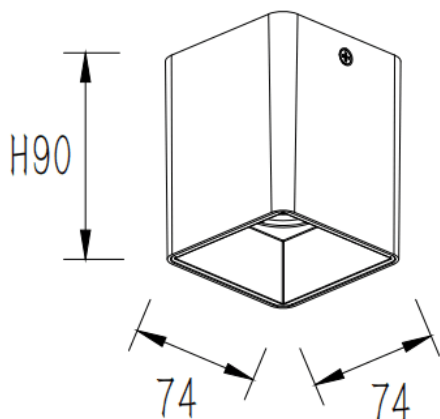
Lavov Ceiling downlight from the family PILAR with a power of 15W and a 40 beam angle. Finished in White colour. Dimensions 74x74x90 mm.. With a total lumen output of 1200lm and a luminous efficiency of 80lm/W. CCT 3000K. Driver ON-OFF. Made in Die Cast Aluminium Body, Front Cover Tempered Glass. .IP65.

|                     |                                  |
|---------------------|----------------------------------|
| <b>Item code</b>    | <b>86.OC01.1321.01</b>           |
| <b>Product type</b> | <b>Outdoor</b>                   |
| <b>Category</b>     | <b>Surface Ceiling Downlight</b> |
| <b>Family</b>       | <b>PILAR</b>                     |
| <b>Pictograms</b>   |                                  |

**Dimensions**

**Product dimensions (mm)** **74x74x90 mm**

**Scheme**



**Photometry**

**Product**

|                                   |                      |
|-----------------------------------|----------------------|
| <b>Real power (W)</b>             | <b>15</b>            |
| <b>Real luminous flux (Lm)</b>    | <b>1200</b>          |
| <b>Luminous efficiency (Lm/W)</b> | <b>80</b>            |
| <b>Beam angle (°)</b>             | <b>40</b>            |
| <b>Life time (h)</b>              | <b>50000h L80B10</b> |
| <b>IP</b>                         | <b>IP65</b>          |
| <b>Colour</b>                     | <b>White</b>         |
| <b>Control gear included</b>      | <b>Yes</b>           |
| <b>Control gear</b>               | <b>ON-OFF</b>        |
| <b>Light source</b>               | <b>LED</b>           |
| <b>Type of LED</b>                | <b>COB</b>           |
| <b>Colour temperature (K)</b>     | <b>3000</b>          |
| <b>Colour consistency (SDCM)</b>  | <b>SDCM3</b>         |
| <b>CRI</b>                        | <b>80</b>            |

**SURFACE CEILING DOWNLIGHT -  
PILAR**

**Item code 86.OC01.1321.01**

