



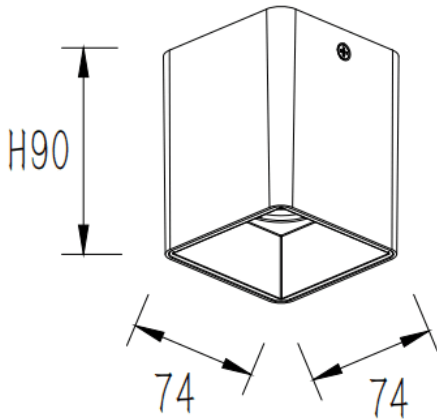
**PILAR**

Lavov Ceiling downlight from the family PILAR with a power of 15W and a 40 beam angle. Finished in Black colour. Dimensions 74x74x90 mm.. With a total lumen output of 1200lm and a luminous efficiency of 80lm/W. CCT 3000K. Driver DALI. Made in Die Cast Aluminium Body, Front Cover Tempered Glass. .IP65.

**Dimensions**

**Product dimensions (mm)** **74x74x90 mm**

**Scheme**



<b>Item code</b>	<b>86.OC01.1323.02</b>
<b>Product type</b>	<b>Outdoor</b>
<b>Category</b>	<b>Surface Ceiling Downlight</b>
<b>Family</b>	<b>PILAR</b>

**Pictograms**

	220 240 V		CRI 80	SDCM 3
	On Off	IP 20	50000h L80B10	

<b>Product</b>	
<b>Real power (W)</b>	<b>15</b>
<b>Real luminous flux (Lm)</b>	<b>1200</b>
<b>Luminous efficiency (Lm/W)</b>	<b>80</b>
<b>Beam angle (°)</b>	<b>40</b>
<b>Life time (h)</b>	<b>50000h L80B10</b>
<b>IP</b>	<b>IP65</b>
<b>Colour</b>	<b>Black</b>
<b>Control gear included</b>	<b>Yes</b>
<b>Control gear</b>	<b>DALI</b>
<b>Light source</b>	<b>LED</b>
<b>Type of LED</b>	<b>COB</b>
<b>Colour temperature (K)</b>	<b>3000</b>
<b>Colour consistency (SDCM)</b>	<b>SDCM3</b>
<b>CRI</b>	<b>80</b>