



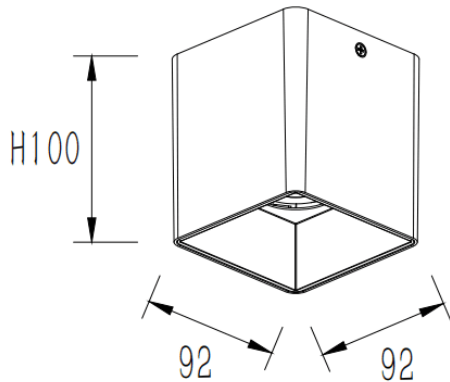
PILAR

Lavov Ceiling downlight from the family PILAR with a power of 25W and a 20 beam angle. Finished in White colour. Dimensions 92x92x100 mm.. With a total lumen output of 2000lm and a luminous efficiency of 80lm/W. CCT 3000K. Driver ON-OFF. Made in Die Cast Aluminium Body, Front Cover Tempered Glass. .IP65.

Dimensions

Product dimensions (mm) **92x92x100 mm**

Scheme



Item code	86.OC01.2311.01
Product type	Outdoor
Category	Surface Ceiling Downlight
Family	PILAR
Pictograms	

Product	
Real power (W)	25
Real luminous flux (Lm)	2000
Luminous efficiency (Lm/W)	80
Beam angle (°)	20
Life time (h)	50000h L80B10
IP	IP65
Colour	White
Control gear included	Yes
Control gear	ON-OFF
Light source	LED
Type of LED	COB
Colour temperature (K)	3000
Colour consistency (SDCM)	SDCM3
CRI	80