



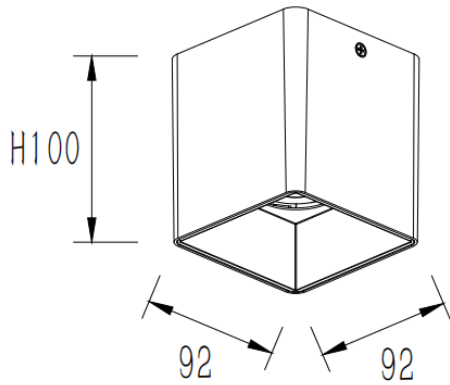
PILAR

Lavov Ceiling downlight from the family PILAR with a power of 25W and a 20 beam angle. Finished in Grey colour. Dimensions 92x92x100 mm.. With a total lumen output of 2000lm and a luminous efficiency of 80lm/W. CCT 3000K. Driver DALI. Made in Die Cast Aluminium Body, Front Cover Tempered Glass. .IP65.

Dimensions

Product dimensions (mm) **92x92x100 mm**

Scheme



| | |
|---------------------|----------------------------------|
| Item code | 86.OC01.2313.03 |
| Product type | Outdoor |
| Category | Surface Ceiling Downlight |
| Family | PILAR |
| Pictograms | |

| | |
|-----------------------------------|----------------------|
| Product | |
| Real power (W) | 25 |
| Real luminous flux (Lm) | 2000 |
| Luminous efficiency (Lm/W) | 80 |
| Beam angle (°) | 20 |
| Life time (h) | 50000h L80B10 |
| IP | IP65 |
| Colour | Grey |
| Control gear included | Yes |
| Control gear | DALI |
| Light source | LED |
| Type of LED | COB |
| Colour temperature (K) | 3000 |
| Colour consistency (SDCM) | SDCM3 |
| CRI | 80 |