

**PILAR**

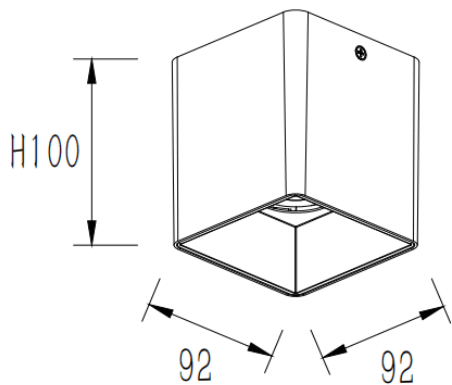
Lavov Ceiling downlight from the family PILAR with a power of 25W and a 40 beam angle. Finished in Grey colour. Dimensions 92x92x100 mm.. With a total lumen output of 2000lm and a luminous efficiency of 80lm/W. CCT 3000K. Driver ON-OFF. Made in Die Cast Aluminium Body, Front Cover Tempered Glass. .IP65.

<b>Item code</b>	<b>86.OC01.2321.03</b>
<b>Product type</b>	<b>Outdoor</b>
<b>Category</b>	<b>Surface Ceiling Downlight</b>
<b>Family</b>	<b>PILAR</b>
<b>Pictograms</b>	

**Dimensions**

**Product dimensions (mm)** **92x92x100 mm**

**Scheme**



<b>Product</b>	
<b>Real power (W)</b>	<b>25</b>
<b>Real luminous flux (Lm)</b>	<b>2000</b>
<b>Luminous efficiency (Lm/W)</b>	<b>80</b>
<b>Beam angle (°)</b>	<b>40</b>
<b>Life time (h)</b>	<b>50000h L80B10</b>
<b>IP</b>	<b>IP65</b>
<b>Colour</b>	<b>Grey</b>
<b>Control gear included</b>	<b>Yes</b>
<b>Control gear</b>	<b>ON-OFF</b>
<b>Light source</b>	<b>LED</b>
<b>Type of LED</b>	<b>COB</b>
<b>Colour temperature (K)</b>	<b>3000</b>
<b>Colour consistency (SDCM)</b>	<b>SDCM3</b>
<b>CRI</b>	<b>80</b>