



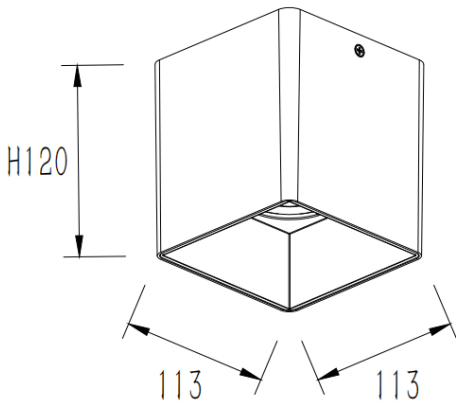
PILAR

Lavov Ceiling downlight from the family PILAR with a power of 35W and a 20 beam angle. Finished in Black colour. Dimensions 113x113x120 mm.. With a total lumen output of 2800lm and a luminous efficiency of 80lm/W. CCT 3000K. Driver ON-OFF. Made in Die Cast Aluminium Body, Front Cover Tempered Glass. .IP65.

Dimensions

Product dimensions (mm) **113x113x120 mm**

Scheme



Item code	86.OC01.3311.02
Product type	Outdoor
Category	Surface Ceiling Downlight
Family	PILAR

Pictograms

	220 240 V		CRI 80	SDCM 3
	On Off	IP 20	50000h L80B10	

Product	
Real power (W)	35
Real luminous flux (Lm)	2800
Luminous efficiency (Lm/W)	80
Beam angle (°)	20
Life time (h)	50000h L80B10
IP	IP65
Colour	Black
Control gear included	Yes
Control gear	ON-OFF
Light source	LED
Type of LED	COB
Colour temperature (K)	3000
Colour consistency (SDCM)	SDCM3
CRI	80