



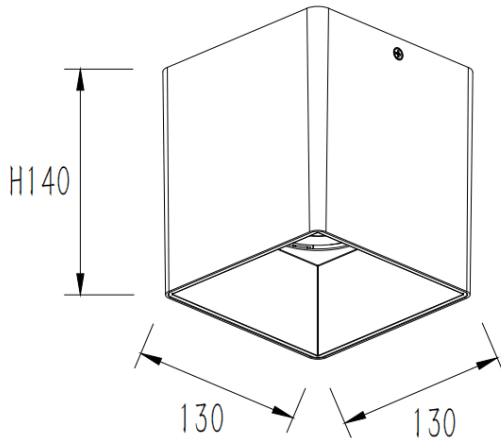
PILAR

Lavov Ceiling downlight from the family PILAR with a power of 45W and a 40 beam angle. Finished in Grey colour. Dimensions 130x130x140 mm.. With a total lumen output of 3600lm and a luminous efficiency of 80lm/W. CCT 3000K. Driver DALI. Made in Die Cast Aluminium Body, Front Cover Tempered Glass. .IP65.

Dimensions

Product dimensions (mm) **130x130x140 mm**

Scheme



Item code	86.OC01.4323.03
Product type	Outdoor
Category	Surface Ceiling Downlight
Family	PILAR

Pictograms

	220 240 V		CRI 80	SDCM 3
	On Off	IP 20	50000h L80B10	

Product	
Real power (W)	45
Real luminous flux (Lm)	3600
Luminous efficiency (Lm/W)	80
Beam angle (°)	40
Life time (h)	50000h L80B10
IP	IP65
Colour	Grey
Control gear included	Yes
Control gear	DALI
Average life time (h)	30
Colour temperature (K)	3000
Colour consistency (SDCM)	SDCM<3
CRI	80