

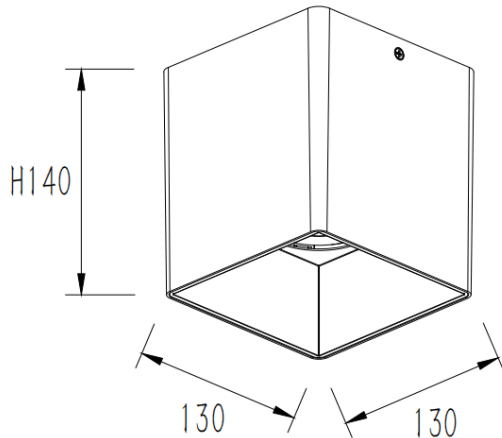


PILAR

Lavov Ceiling downlight from the family PILAR with a power of 45W and a 60 beam angle. Finished in Black colour. Dimensions 130x130x140 mm.. With a total lumen output of 3600lm and a luminous efficiency of 80lm/W. CCT 3000K. Driver DALI. Made in Die Cast Aluminium Body, Front Cover Tempered Glass. .IP65.

Dimensions	
Product dimensions (mm)	130x130x140 mm

Scheme



Item code	86.OC01.4333.02
Product type	Outdoor
Category	Surface Ceiling Downlight
Family	PILAR
Pictograms	

Product	
Real power (W)	45
Real luminous flux (Lm)	3600
Luminous efficiency (Lm/W)	80
Beam angle (°)	60
Life time (h)	50000h L80B10
IP	IP65
Colour	Black
Control gear included	Yes
Control gear	DALI
Average life time (h)	30
Colour temperature (K)	3000
Colour consistency (SDCM)	SDCM<3
CRI	80