



**SDOWN**

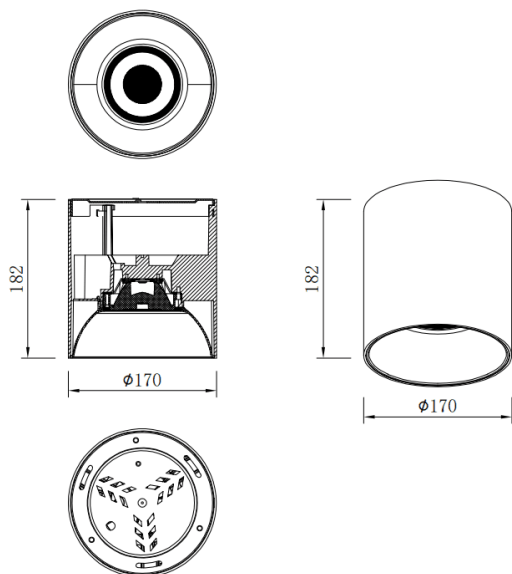
Lavov Ceiling downlight from the family SDOWN with a power of 50W and a 40 beam angle. Finished in White colour. Dimensions Ø170X182 mm .. With a total lumen output of 4000lm and a luminous efficiency of 80lm/W. CCT 3000K. Driver DALI. Made in Die Cast Aluminium Body, Front Cover Tempered Glass. .IP65.

<b>Item code</b>	<b>86.OC02.5323.01</b>
<b>Product type</b>	<b>Outdoor</b>
<b>Category</b>	<b>Surface Ceiling Downlight</b>
<b>Family</b>	<b>SDOWN</b>
<b>Pictograms</b>	

**Dimensions**

**Product dimensions (mm)**      **Ø170X182 mm**

**Scheme**



**Product**

<b>Real power (W)</b>	<b>50</b>
<b>Real luminous flux (Lm)</b>	<b>4000</b>
<b>Luminous efficiency (Lm/W)</b>	<b>80</b>
<b>Beam angle (°)</b>	<b>40</b>
<b>Life time (h)</b>	<b>50000h L80B10</b>
<b>IP</b>	<b>IP65</b>
<b>Colour</b>	<b>White</b>
<b>Control gear included</b>	<b>Yes</b>
<b>Control gear</b>	<b>DALI</b>
<b>Light source</b>	<b>LED</b>
<b>Type of LED</b>	<b>COB</b>
<b>Colour temperature (K)</b>	<b>3000</b>
<b>Colour consistency (SDCM)</b>	<b>SDCM3</b>
<b>CRI</b>	<b>80</b>