

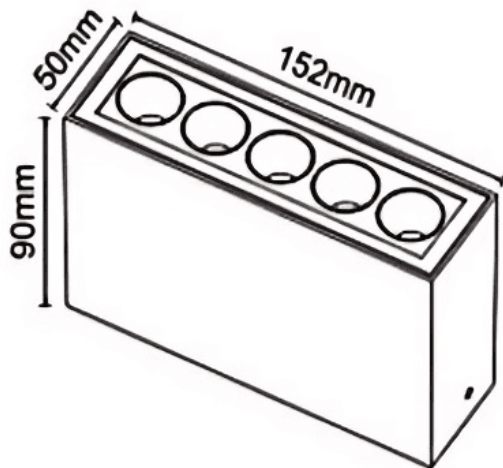


STARO-S

Lavov Ceiling downlight from the family STARO-S with a power of 10W and a 15 degrees beam angle. Finished in Black colour. Dimensions 151X91X49 mm.. With a total lumen output of 900lm and a luminous efficiency of 90lm/W. CCT 3000K. Driver ON-OFF. Made in Die Cast Aluminium Body, Front Cover Tempered Glass. .IP65. IK06

Dimensions	
Product dimensions (mm)	151X91X49 mm

Scheme



Item code	86.OC03.1311.02
Product type	Outdoor
Category	Surface Ceiling Downlight
Family	STARO-S
Pictograms	

Product	
Real power (W)	10
Real luminous flux (Lm)	900
Luminous efficiency (Lm/W)	90
Beam angle (°)	15
Life time (h)	50000h L80B10
IP	IP65
Colour	Black
Control gear included	Yes
Control gear	ON-OFF
Light source	LED
Type of LED	SMD
Colour temperature (K)	3000
Colour consistency (SDCM)	SDCM3
CRI	90
IK	IK06