



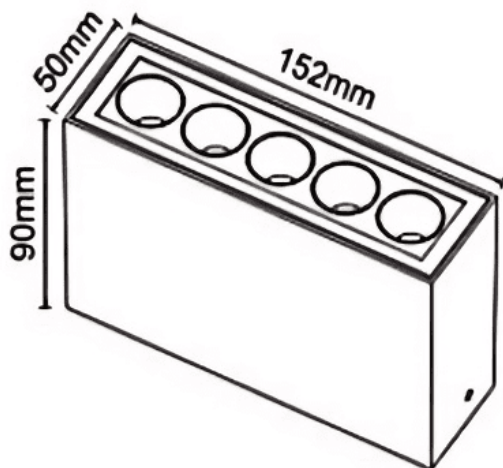
STARO-S

Lavov Ceiling downlight from the family STARO-S with a power of 10W and a 24 degrees beam angle. Finished in Black colour. Dimensions 151X91X49 mm.. With a total lumen output of 900lm and a luminous efficiency of 90lm/W. CCT 3000K. Driver ON-OFF. Made in Die Cast Aluminium Body, Front Cover Tempered Glass. .IP65. IK06

Dimensions

Product dimensions (mm) **151X91X49 mm**

Scheme



Photometry

Item code	86.OC03.1321.02
Product type	Outdoor
Category	Surface Ceiling Downlight
Family	STARO-S
Pictograms	

Product	
Real power (W)	10
Real luminous flux (Lm)	900
Luminous efficiency (Lm/W)	90
Beam angle (°)	24
Life time (h)	50000h L80B10
IP	IP65
Colour	Black
Control gear included	Yes
Control gear	ON-OFF
Light source	LED
Type of LED	SMD
Colour temperature (K)	3000
Colour consistency (SDCM)	SDCM3
CRI	90
IK	IK06

**SURFACE CEILING DOWNLIGHT -
STARO-S**

Item code 86.OC03.1321.02

