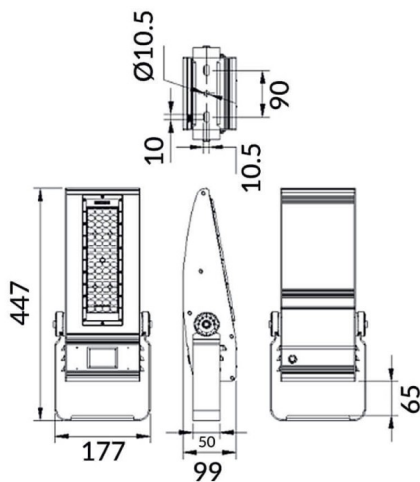




**Bracket**

Lavov Floodlight from the family COURT with a power of 100W and a 30x125 degrees beam angle. With a total lumen output of 14000lm and a luminous efficiency of 140lm/W. Made in Body Aluminium alloy materials - AL6063 and Steel Q235 with powder coating. PC lenses. and finished in black colour. IP65 and IK10 degree of protection ON-OFF driver.

**Scheme**



|                     |                        |
|---------------------|------------------------|
| <b>Item code</b>    | <b>86.OF01.2461.02</b> |
| <b>Product type</b> | <b>Outdoor</b>         |
| <b>Category</b>     | <b>Floodlights</b>     |
| <b>Family</b>       | <b>COURT</b>           |
| <b>Subfamily</b>    | <b>Bracket</b>         |

**Pictograms**

|  |  |  |  |  |
|--|--|--|--|--|
|  |  |  |  |  |
|  |  |  |  |  |

|                                   |                              |
|-----------------------------------|------------------------------|
| <b>Product</b>                    |                              |
| <b>Real power (W)</b>             | <b>100</b>                   |
| <b>Real luminous flux (Lm)</b>    | <b>14000</b>                 |
| <b>Luminous efficiency (Lm/W)</b> | <b>140</b>                   |
| <b>Beam angle (°)</b>             | <b>30x125</b>                |
| <b>IP</b>                         | <b>IP65</b>                  |
| <b>Colour</b>                     | <b>black</b>                 |
| <b>Control gear included</b>      | <b>yes</b>                   |
| <b>Control gear</b>               | <b>ON-OFF</b>                |
| <b>Light source</b>               | <b>LED</b>                   |
| <b>Type of LED</b>                | <b>NF2W757GR-V3</b>          |
| <b>Average life time (h)</b>      | <b>Up to 100,000hrs LM70</b> |
| <b>Colour temperature (K)</b>     | <b>4500K</b>                 |
| <b>Colour consistency (SDCM)</b>  | <b>5</b>                     |
| <b>CRI</b>                        | <b>75</b>                    |
| <b>IK</b>                         | <b>IK10</b>                  |