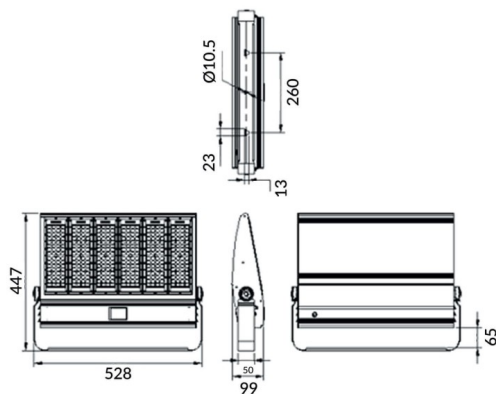




Bracket

Lavov Floodlight from the family COURT with a power of 300W and a 50x90 degrees beam angle. With a total lumen output of 42000lm and a luminous efficiency of 140lm/W. Made in Body Aluminium alloy materials - AL6063 and Steel Q235 with powder coating. PC lenses. and finished in black colour. IP65 and IK10 degree of protection ON-OFF driver.

Scheme



| | |
|---------------------|------------------------|
| Item code | 86.OF01.5451.02 |
| Product type | Outdoor |
| Category | Floodlights |
| Family | COURT |
| Subfamily | Bracket |

Pictograms

-
-
-
-
-
-
-

| | |
|-----------------------------------|------------------------------|
| Product | |
| Real power (W) | 300 |
| Real luminous flux (Lm) | 42000 |
| Luminous efficiency (Lm/W) | 140 |
| Beam angle (&ordm;) | 50x90 |
| IP | IP65 |
| Colour | black |
| Control gear included | yes |
| Control gear | ON-OFF |
| Light source | LED |
| Type of LED | NF2W757GR-V3 |
| Average life time (h) | Up to 100,000hrs LM70 |
| Colour temperature (K) | 5000K |
| Colour consistency (SDCM) | <5 |
| CRI | 75 |
| IK | IK10 |