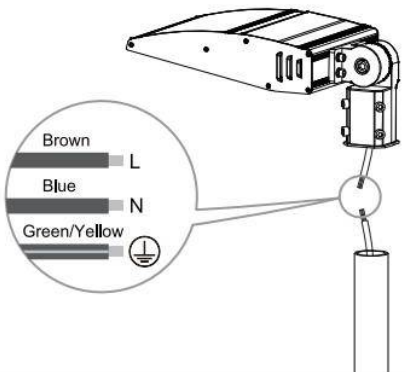




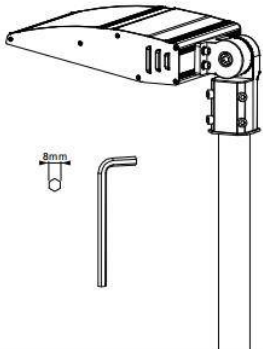
- Installation and wiring of luminaire must be in accordance with all applicable local codes.
- Installation, inspection, and maintenance of luminaires should be performed by a qualified electrician.
- DO NOT make or alter any open holes in the luminaire. Do not modify the luminaire.
- DO NOT install damaged product.
- Make sure electrical power is OFF before and during installation and maintenance.
- Make sure the equipment is properly grounded.
- Make sure the supply voltage is same as the rated fixture voltage.

### Slip Fitter Mount

**1** Wire the AC cable correctly and fix the luminaire to the pole by screws.

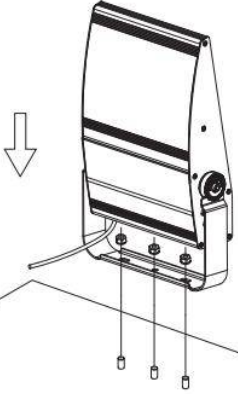


**2** Adjust the slip fitter to the desired angle, then tighten the screws on the slip fitter.

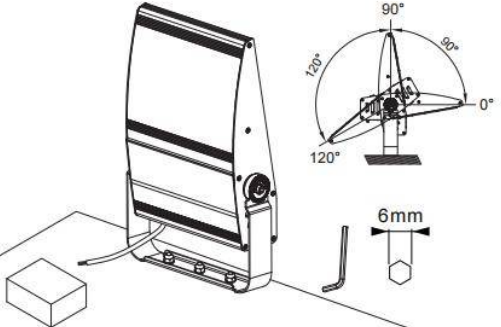


### Bracket Mount

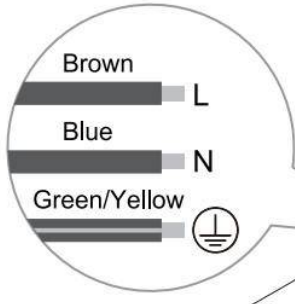
**1** Fix the luminaire to mounting surface by bolts and nuts.



**2** Loosen the screws on both side of the bracket and adjust the luminaire to the desired angle, then tighten the screws.



**3** Wire the AC cable correctly.



### Trunnion Mount

