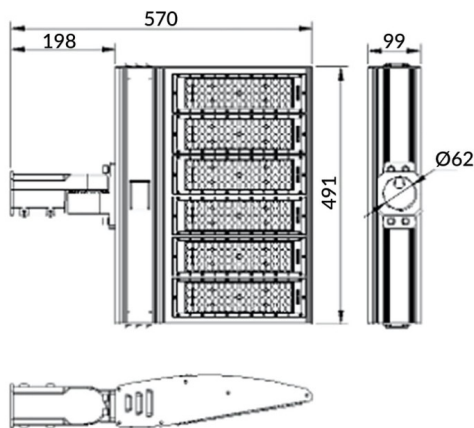




Pole

Lavov Floodlight from the family COURT with a power of 300W and a 50x90 degrees beam angle. With a total lumen output of 42000lm and a luminous efficiency of 140lm/W. Made in Body Aluminium alloy materials - AL6063 and Steel Q235 with powder coating. PC lenses. and finished in black colour. IP65 and IK10 degree of protection ON-OFF driver.

Scheme



Item code	86.OF11.5451.02
Product type	Outdoor
Category	Floodlights
Family	COURT
Subfamily	Pole

Pictograms

Product	
Real power (W)	300
Real luminous flux (Lm)	42000
Luminous efficiency (Lm/W)	140
Beam angle (&ordm;)	50x90
IP	IP65
Colour	black
Control gear included	yes
Control gear	ON-OFF
Light source	LED
Type of LED	NF2W757GR-V3
Average life time (h)	Up to 100,000hrs LM70
Colour temperature (K)	5000K
Colour consistency (SDCM)	<5
CRI	75
IK	IK10