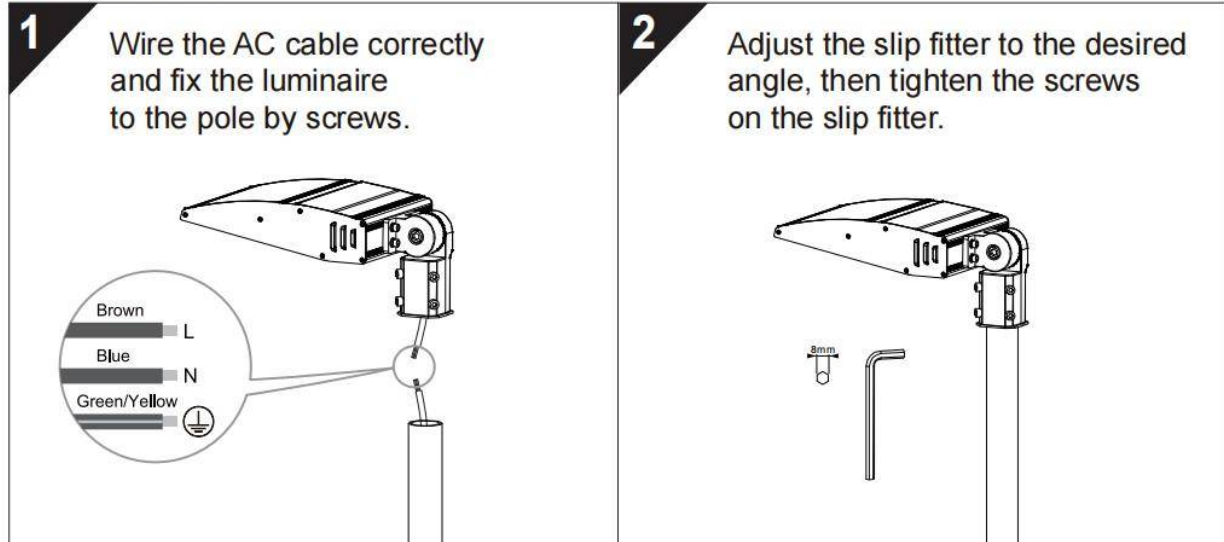


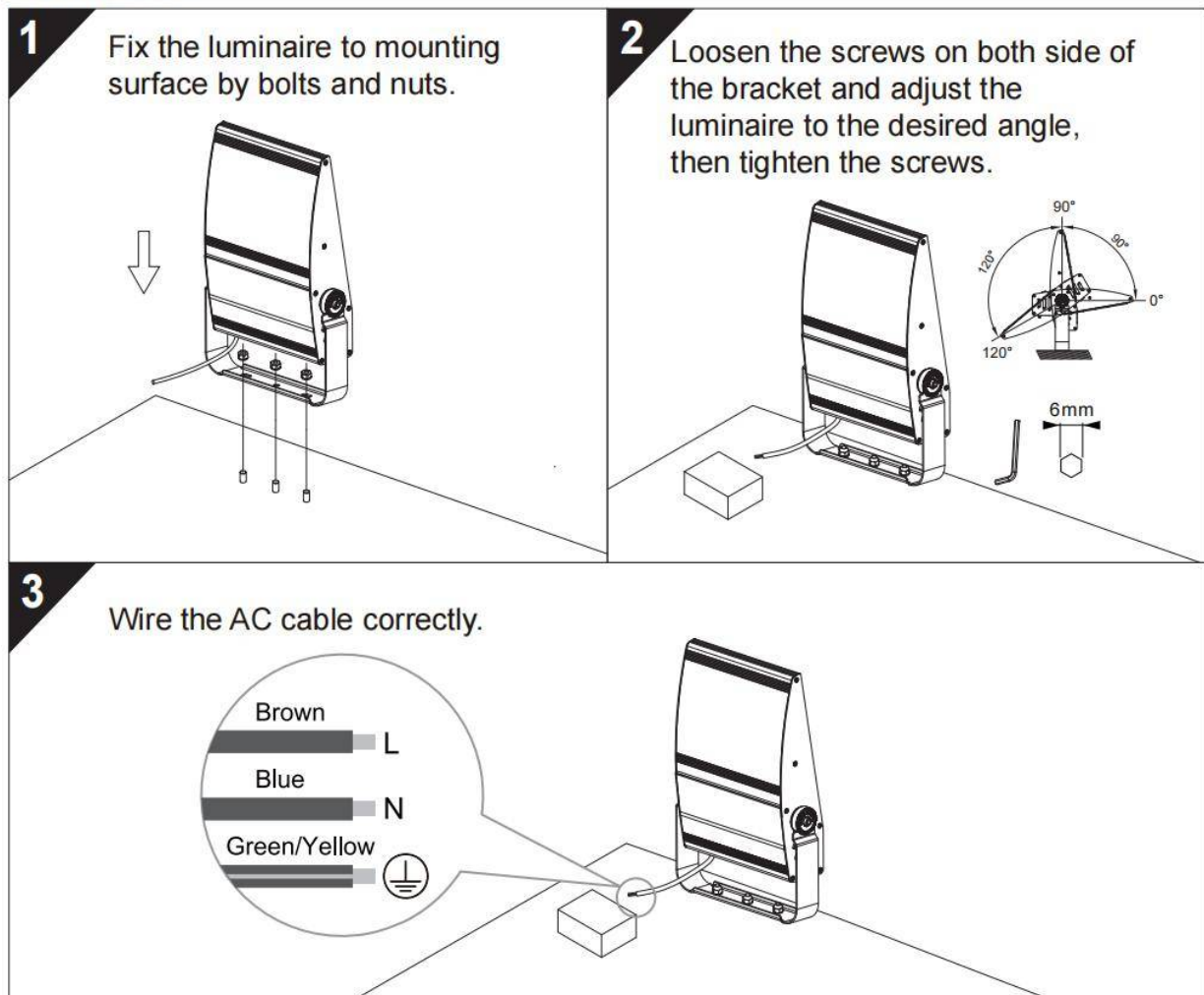


- Installation and wiring of luminaire must be in accordance with all applicable local codes.
- Installation, inspection, and maintenance of luminaires should be performed by a qualified electrician.
- DO NOT make or alter any open holes in the luminaire. Do not modify the luminaire.
- DO NOT install damaged product.
- Make sure electrical power is OFF before and during installation and maintenance.
- Make sure the equipment is properly grounded.
- Make sure the supply voltage is same as the rated fixture voltage.

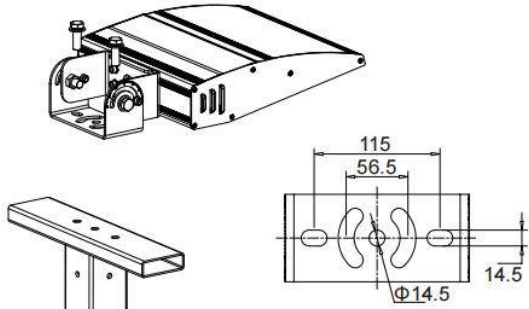
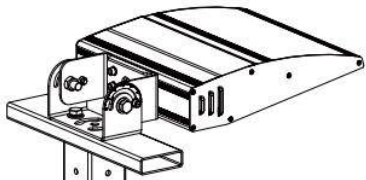
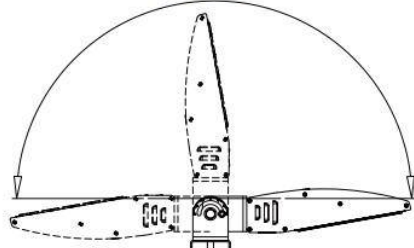
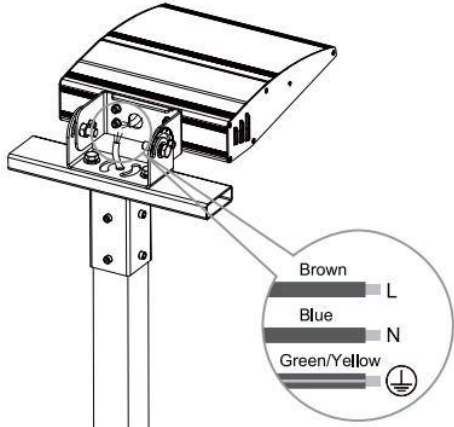
### Slip Fitter Mount



### Bracket Mount



### Trunnion Mount

<p><b>1</b></p>  <p>Align the luminaire with the holes on the mounting surface.</p>	<p><b>2</b></p>  <p>Fix the luminaire to the mounting surface by screws.</p>
<p><b>3</b></p>  <p>Loosen the screws on both sides of the luminaire with allen wrench and then adjust the luminaire to the suitable angle. Tighten the screws on both sides of the luminaire with allen wrench.</p>	<p><b>4</b></p> <p>Wire the AC cable correctly.</p>  <ul style="list-style-type: none"><li>Brown — L</li><li>Blue — N</li><li>Green/Yellow — Ground</li></ul>