



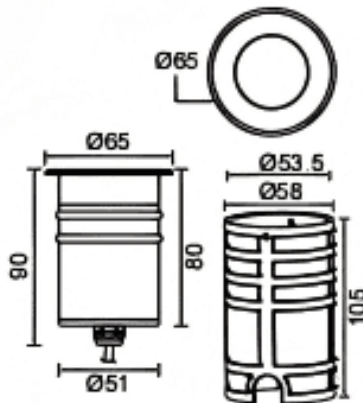
### DRIVE ON R

Lavov Recessed Inground from the family DRIVE ON R with a power of 6,5W and a 24 degrees beam angle. With a total lumen output of 454lm and a luminous efficiency of 69,84lm/W. Made in Die Cast Aluminium Body, Front Ring stainless Steel, Tempered Glass Cover and finished in Stainless steel colour. IP67 and IK10 degree of protection ON-OFF driver.

### Dimensions

Product dimensions (mm) **Ø65mmx90mm**

### Scheme



### Photometry

Item code	<b>86.OI09.1321.07</b>
Product type	<b>Outdoor</b>
Category	<b>Recessed Inground Floor</b>
Family	<b>DRIVE ON</b>
Subfamily	<b>DRIVE ON R</b>
Pictograms	

<b>Product</b>	
Real power (W)	<b>6.5</b>
Real luminous flux (Lm)	<b>454</b>
Luminous efficiency (Lm/W)	<b>69.84</b>
Beam angle (°)	<b>24</b>
Life time (h)	<b>50000h L80B10</b>
IP	<b>67</b>
Electrical class insulation	<b>Class I</b>
Colour	<b>Stainless steel</b>
Control gear included	<b>Yes</b>
Control gear	<b>ON-OFF</b>
Light source	<b>CREE 1304</b>
Colour temperature (K)	<b>3000</b>
Colour consistency (SDCM)	<b>SDCM3</b>
CRI	<b>80</b>
IK	<b>IK10</b>

**RECESSED INGROUND FLOOR - DRIVE  
ON**

**Item code 86.OI09.1321.07**

