

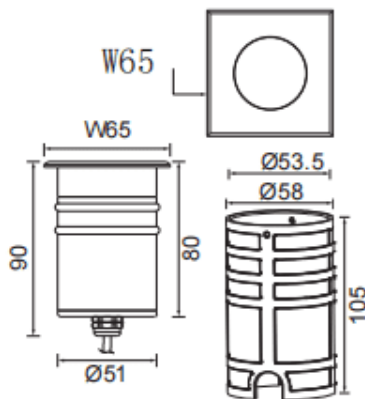
DRIVE ON S

Lavov Recessed Inground from the family DRIVE ON S with a power of 4,5W and a 12 degrees beam angle. With a total lumen output of 454lm and a luminous efficiency of 87,8lm/W. Made in Die Cast Aluminium Body, Front Ring stainless Steel, Tempered Glass Cover and finished in Stainless steel colour. IP67 and IK10 degree of protection ON-OFF driver.

Dimensions

Product dimensions (mm) 65x65x90mm

Scheme



Photometry

Item code	86.OI10.1311.07
Product type	Outdoor
Category	Recessed Inground Floor
Family	DRIVE ON
Subfamily	DRIVE ON S
Pictograms	

Product	
Real power (W)	6.5
Real luminous flux (Lm)	454
Luminous efficiency (Lm/W)	69.849999999999994
Beam angle (°)	12
Life time (h)	50000h L80B10
IP	67
Electrical class insulation	Class I
Colour	Stainless steel
Control gear included	Yes
Control gear	ON-OFF
Light source	CREE 1512
Colour temperature (K)	3000
Colour consistency (SDCM)	SDCM3
CRI	80
IK	IK10

**RECESSED INGROUND FLOOR - DRIVE
ON**

Item code 86.OI10.1311.07

